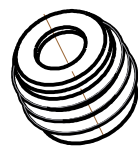
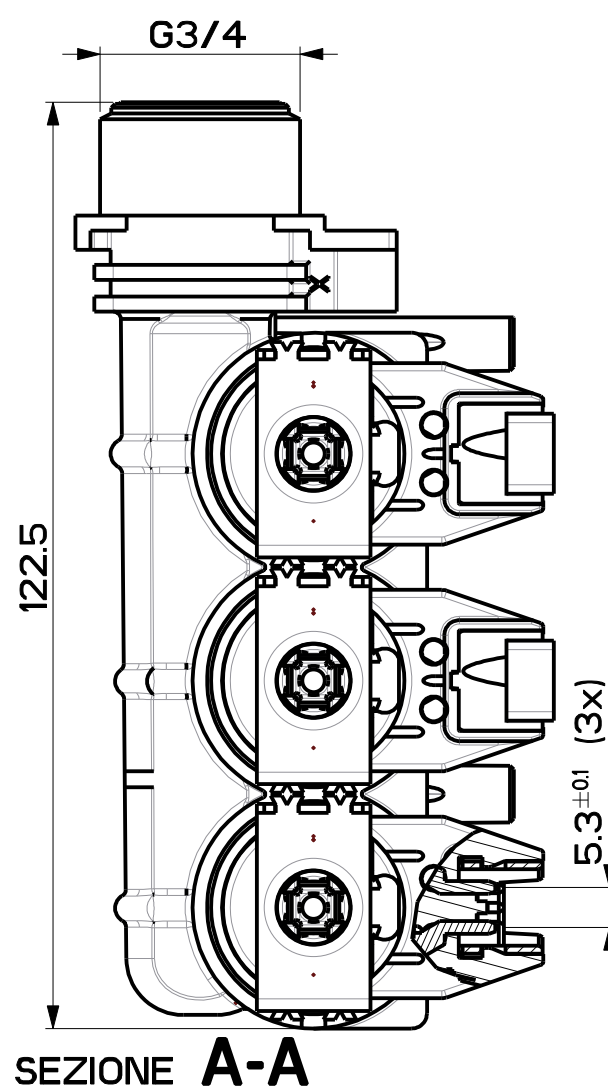
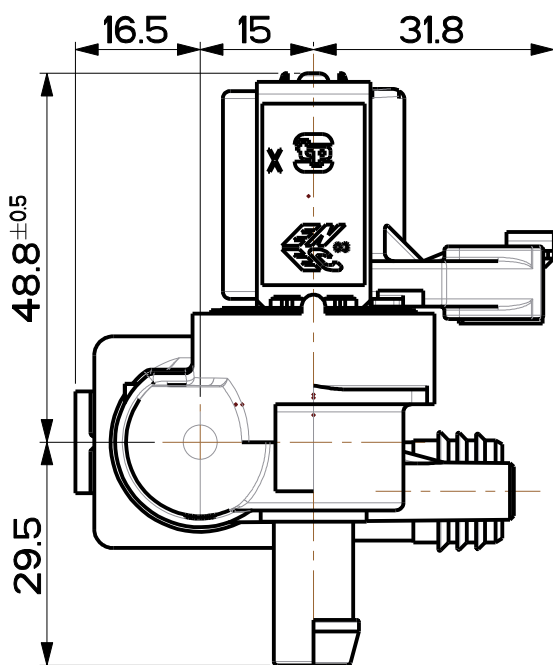
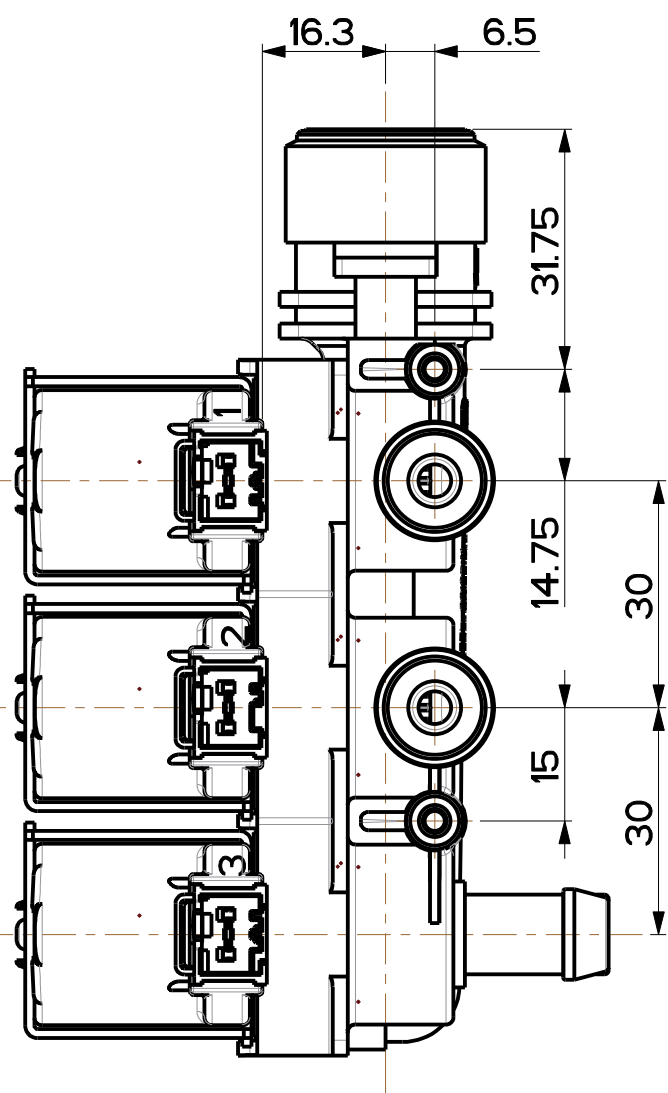


PART NUMBER	INLET FLOW RATE	OUTLET F. R. 1	OUTLET F. R. 2	OUTLET F. R. 3	NOTES
50500675	7 ±15% L/1'	---	1.2 ±25% L/1'	---	--
50500750	7 ±15% L/1'	---	---	1.2 ±25% L/1'	fumigated pallet



N° 2 GASKETS



SEZIONE A-A

CHARACTERISTICS:  
 ELECTRICAL RATING 220/240V 50/60Hz 8VA  
 INSULATION CLASS II  
 OPERATING PRESSURE 0.2-10 bar (0.02- 1Mpa)  
 TEMPERATURES AND SERVICES T60 °C Tm25 °C 100% ED

EXIT N°	COIL ASSY	CONNECTOR	COLOR
3	42523285	R2.5/2-2d	Yellow
2	42524600	R2.5/2-2c	Blue
1	42524590	R2.5/2-2a	White

N°	Date	By	Title	Scale																								
B	22/01/21	Moncada	Added code 50500750	1:1																								
A	28/02/18	Moncada	Changed coils on exit 1 & 2 (were 42523665 & 42523675 respectively)	--																								
DRN	22/8/11	Getain	<b>VALVE ETL90/88</b> <b>ASSEMBLY 220/240V Pitch 2,5</b>	Material																								
CHD	--	--		Shrinkage																								
APPR.	--	--		Finish																								
Issued	--	--		Derived from																								
			Code																									
Model file name:			<b>O0006640</b>	<b>B</b>																								
<table border="1"> <thead> <tr> <th>Tolerances</th> <th>&lt;18</th> <th>18:30</th> <th>30:50</th> <th>50:80</th> <th>80:120</th> <th>120:180</th> <th>180:250</th> <th>250:315</th> <th>315:400</th> <th>400:500</th> <th>ang.</th> </tr> </thead> <tbody> <tr> <td>When not shown</td> <td>±0.13</td> <td>±0.16</td> <td>±0.19</td> <td>±0.23</td> <td>±0.27</td> <td>±0.31</td> <td>±0.36</td> <td>±0.40</td> <td>±0.44</td> <td>±0.48</td> <td>±1°</td> </tr> </tbody> </table>					Tolerances	<18	18:30	30:50	50:80	80:120	120:180	180:250	250:315	315:400	400:500	ang.	When not shown	±0.13	±0.16	±0.19	±0.23	±0.27	±0.31	±0.36	±0.40	±0.44	±0.48	±1°
Tolerances	<18	18:30	30:50	50:80	80:120	120:180	180:250	250:315	315:400	400:500	ang.																	
When not shown	±0.13	±0.16	±0.19	±0.23	±0.27	±0.31	±0.36	±0.40	±0.44	±0.48	±1°																	
CAD Drawing - Not allowed any hand modification. - Copyright by T&P. Any reproduction without written authorization is forbidden.																												

A3