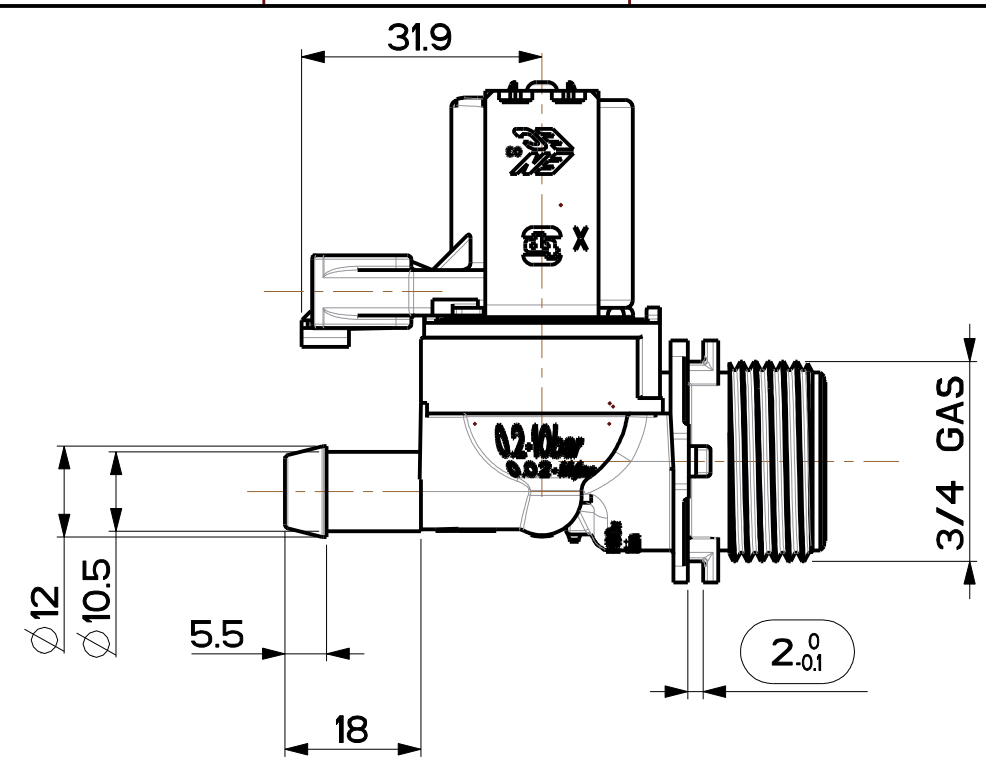
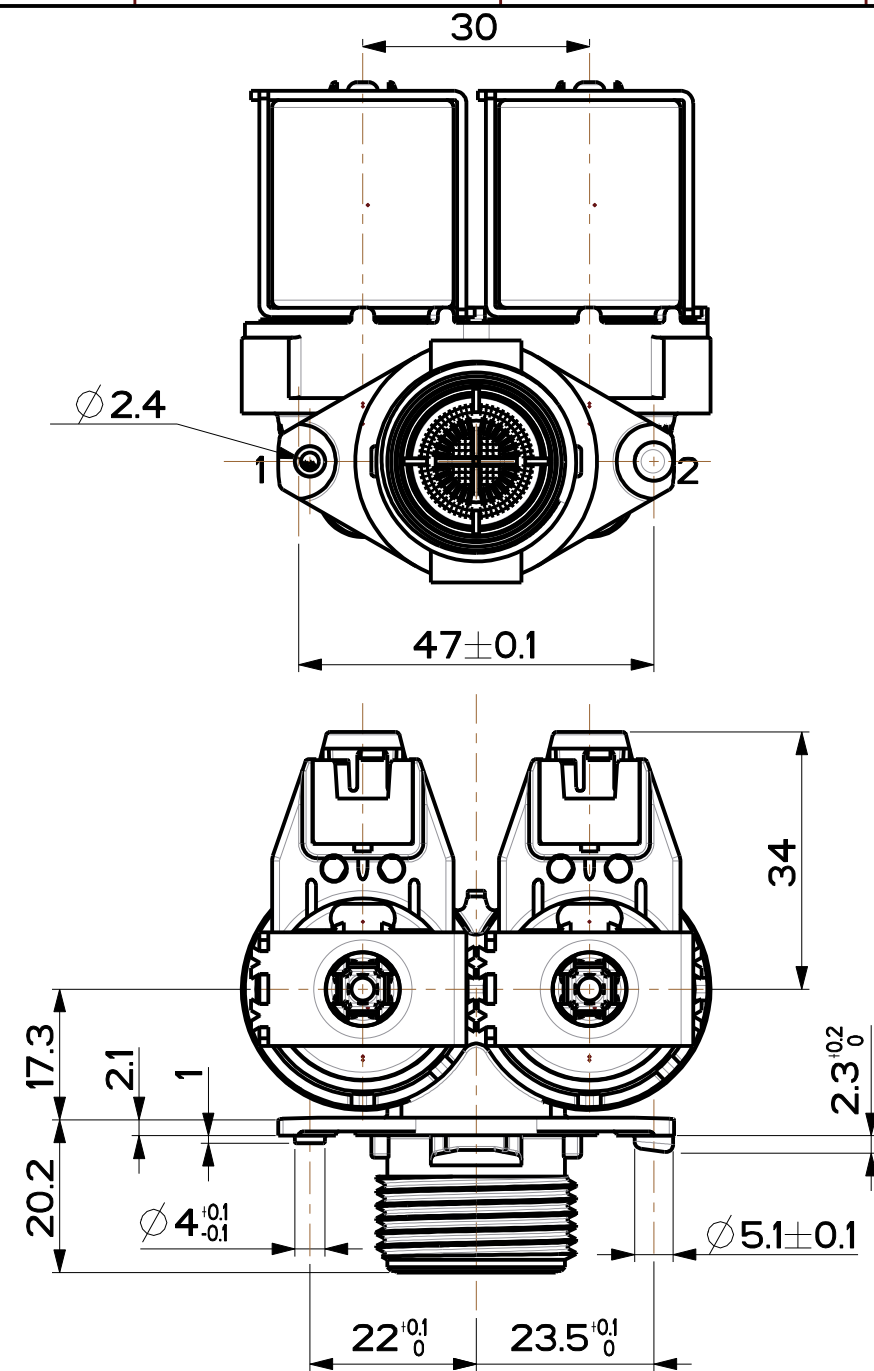


CODE	INLET F. R.	OUTLET F. R. 1	OUTLET F. R. 2	CUSTOMER	Notes
50260000	10 ±15% L/min	-----	-----	ARCELIK	Print 29068702 Filter upside down Ø0.060 Reinf. Coil
50260050	10 ±15% L/min	-----	-----	BEKO	Print 29068702 Filter upside down Ø0.060 Reinf. Coil
50260001	10 ±15% L/min	-----	-----	ARCELIK	Print 29068702 Filter upside down Ø0.056 Reinf. Coil
50260051	10 ±15% L/min	-----	-----	BEKO	Print 29068702 Filter upside down Ø0.056 Reinf. Coil

2	42523655	R2.5/2-2a	WHITE
1	42523275	R2.5/2-2d	YELLOW
EXIT N° COIL ASSY CONNECTOR COLOR			
FOR VERSION 50260000 & 50260050			

2	42521170	R2.5/2-2a	WHITE
1	42521160	R2.5/2-2d	YELLOW
EXIT N° COIL ASSY CONNECTOR COLOR			
FOR VERSION 50260001 & 50260051			



CHARACTERISTICS:

ELECTRICAL RATING 220/240V 50/60Hz 8VA REINF.
 INSULATION CLASS II
 OPERATING PRESSURE 0.2-10 bar (0.02- 1Mpa)
 TEMPERATURES AND SERVICES T60 °C Tm25 °C 100% ED
 T60 °C Tm90 °C AB 3/5MIN

FLOW RATES see table
 COIL RESISTANCE : for 42523275 & 42523655 >> 4400 ±200Ω
 for 42521160 & 42521170 >> 4950 ±250Ω

CRITICAL DIMENSIONS

N°	Date	By	CHANGES										
C	Mar-11-21	MORO	Added codes 50260001 & 50260051										
B	Nov-09-16	Moncada	Added new code 50260050										
A	Dic-15-15	Moncada	Modified snapfix hole (was 15mm)										
DRN	Jul-01-15	Y.MONCADA	Title	Scale 1:1									
CHD	-	-	VALVE ED180/88-L BP SNAPFIX ASSEMBLY 220/240V P2.5 REINF.	Material --									
APPR.	-	-		Shrinkage --									
Issued	-	-	Code	Finish --									
Venegono S. (VA) TP REFLEX GROUP			O0006643	Derived from --									
Model file name: 50260000_TAB													
Tolerances		<18	18:30	30:50	50:80	80:120	120:180	180:250	250:315	315:400	400:500	ang.	
When not shown		±0.13	±0.16	±0.19	±0.23	±0.27	±0.31	±0.36	±0.40	±0.44	±0.48	±1°	
CAD Drawing - Not allowed any hand modification. - Copyright by T&P. Any reproduction without written authorization is forbidden.													A3