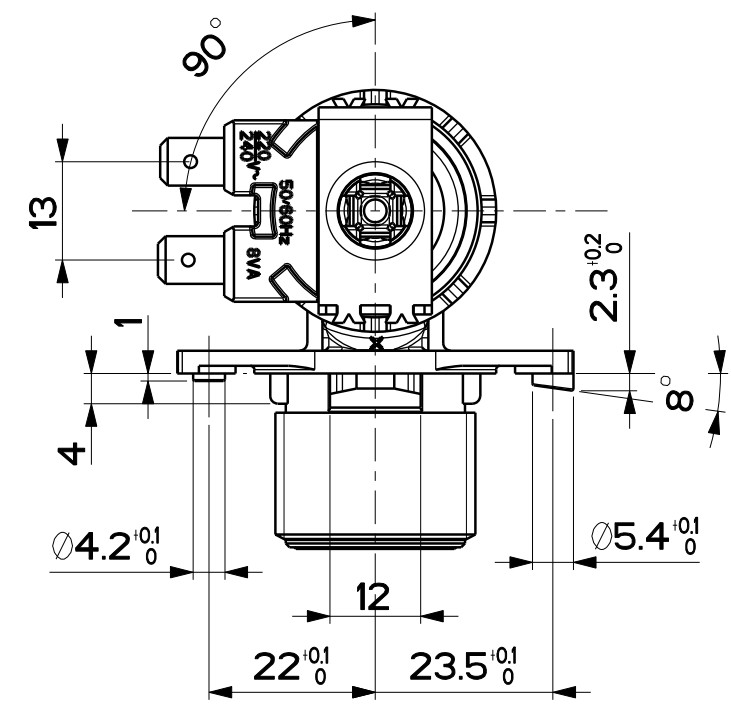
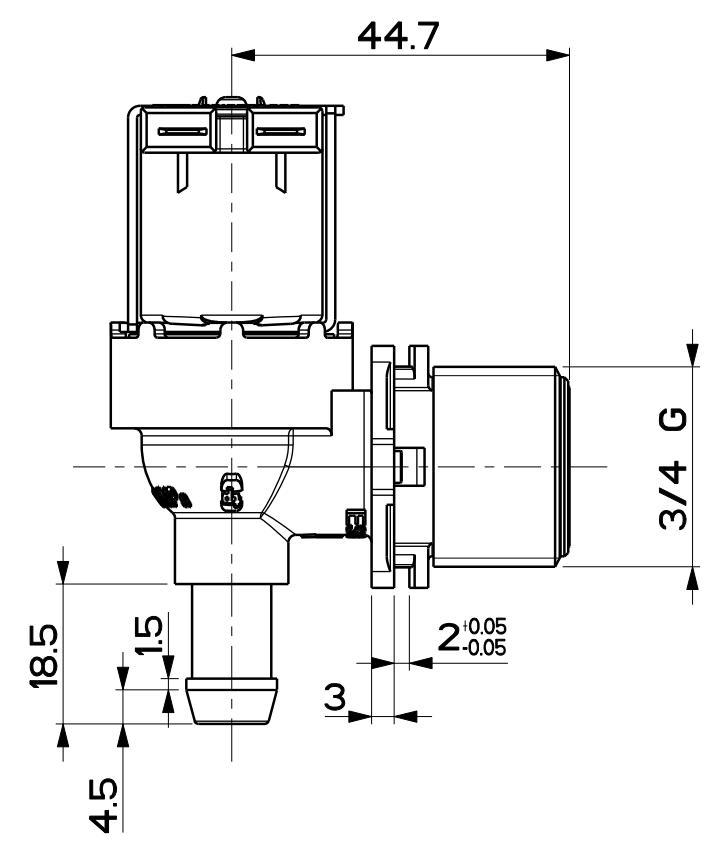
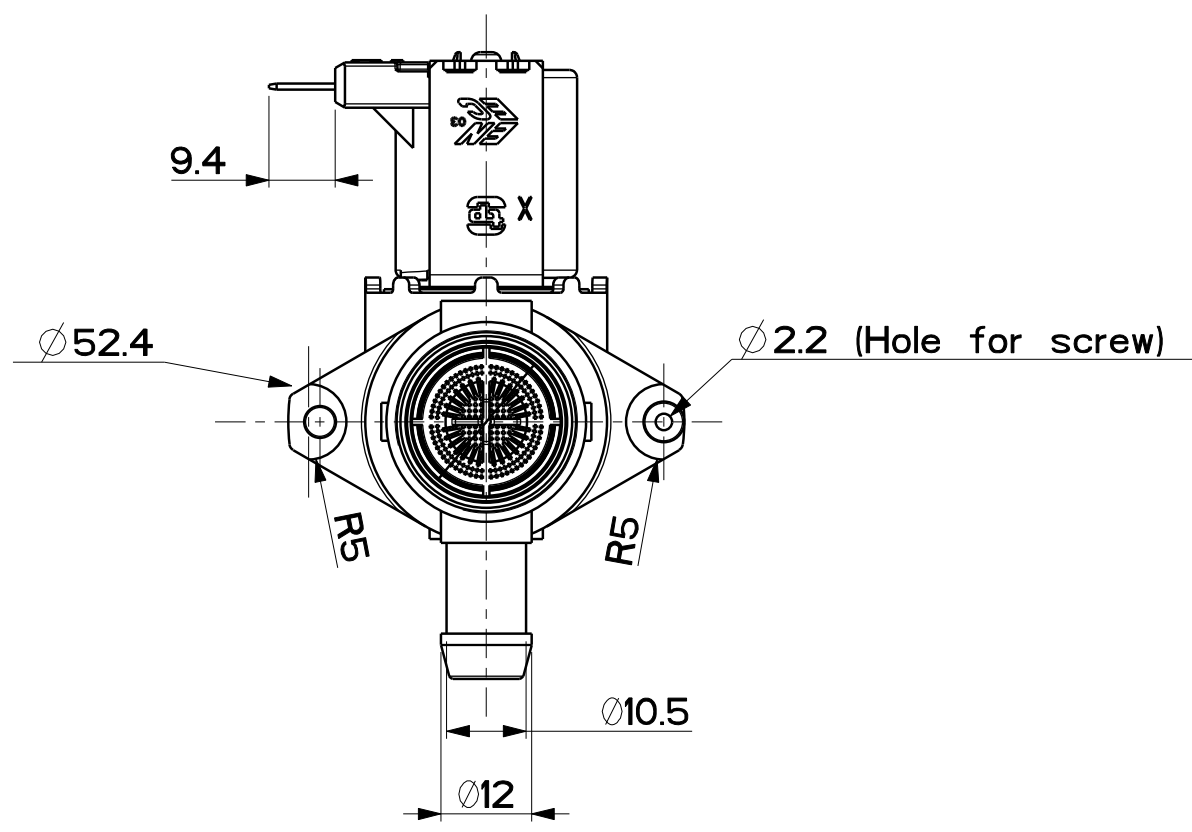


Print: 83550200

PART NUMBER	50109570	INLET FLOW RATE	2.5 ±10%/min [1.5-5Bar]	OUTLET F. R. 1	---
-------------	----------	-----------------	-------------------------	----------------	-----



CHARACTERISTICS:

ELECTRICAL RATING	220/240V 50/60Hz 8VA
INSULATION CLASS	II
OPERATING PRESSURE	0.2-10 bar (0.02- 1Mpa)
TEMPERATURES AND SERVICES	T60 °C Tm25 °C 100% ED T60 °C Tm90 °C AB 3/5MIN
INLET FLOW RATE	see table
COIL RESISTANCE	4100-4550 Ω

CRITICAL DIMENSIONS

A 12/03/15 MORO ADDED CUSTOMER'S CODE TO BE PRINTED AND MODIFIED RESISTANCE			
N°	Date	By	CHANGES
DRN	Mar-12-15	MORO	Title
CHD	-	-	VALVE ES90/88 BP Assembly 220/240V SnapFix typeE
APPR.	-	-	
Issued	-	-	Scale 1:1
T & P Sp.A. Venegono S. (VA)			Material --
Code O0006647			Shrinkage --
Model file name: 50109570.TAB			Finish --
Tolerances <18 18:30 30:50 50:80 80:120 120:180 180:250 250:315 315:400 400:500 ang.			Derived from --
When not shown ±0.13 ±0.16 ±0.19 ±0.23 ±0.27 ±0.31 ±0.36 ±0.40 ±0.44 ±0.48 ±1°			
CAD Drawing - Not allowed any hand modification. - Copyright by T&P. Any reproduction without written authorization is forbidden.			

A3