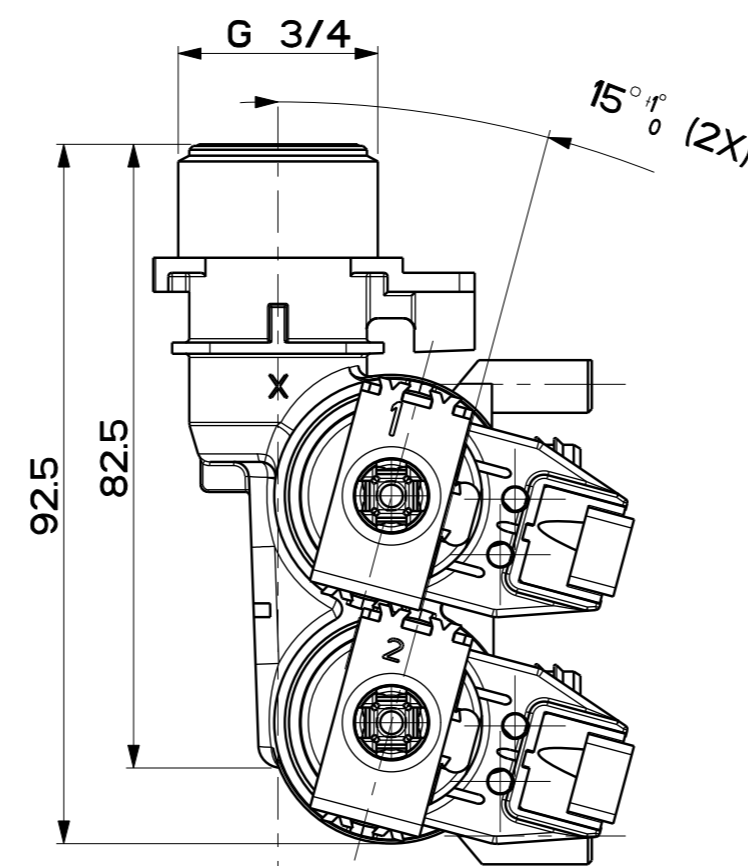
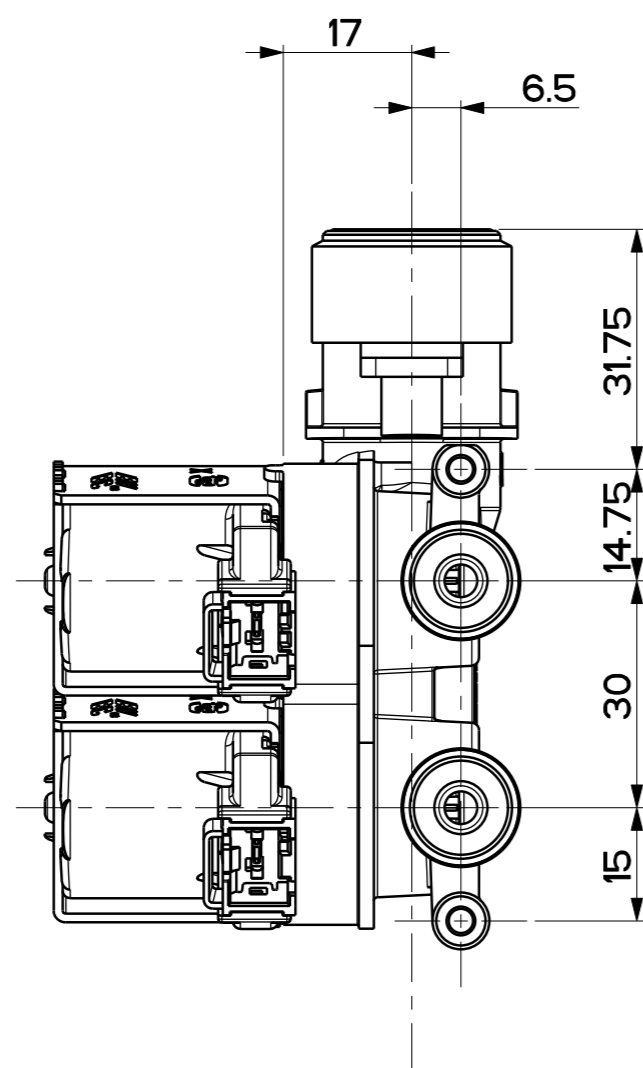
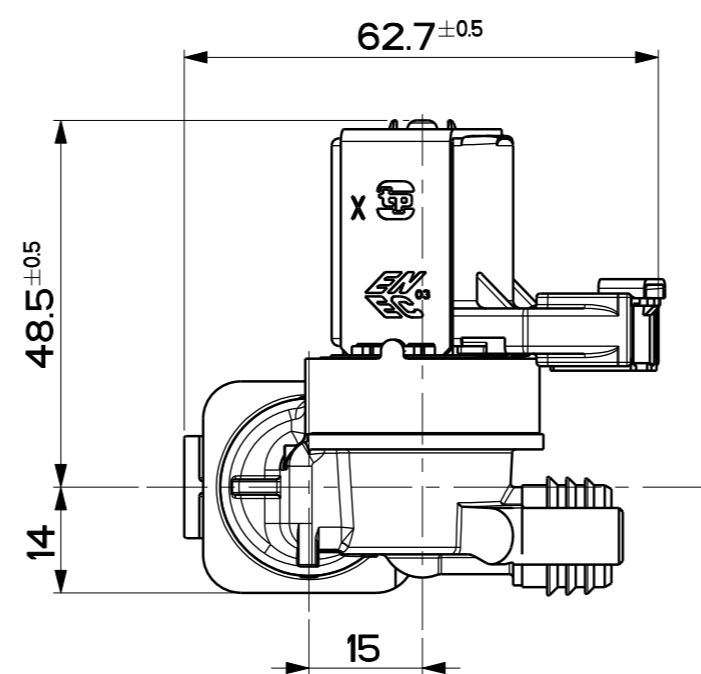
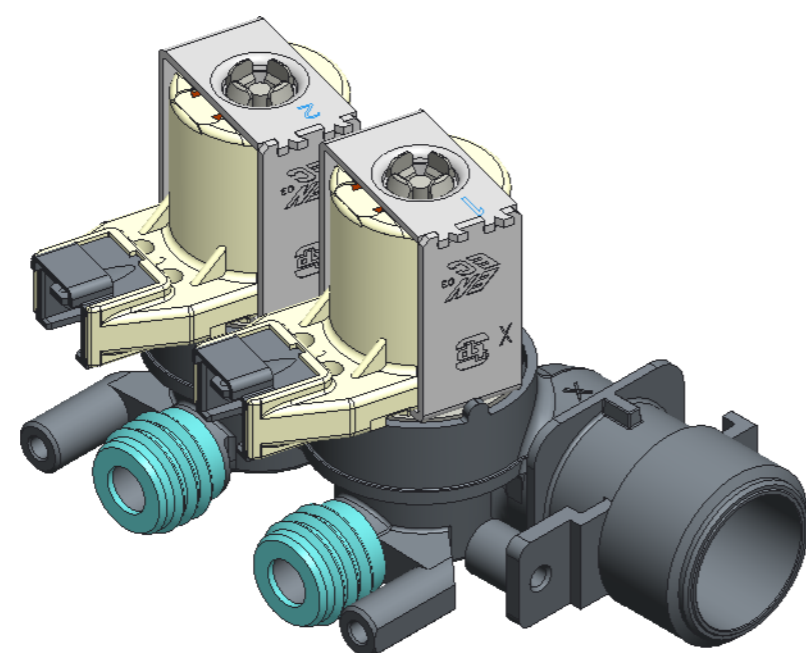
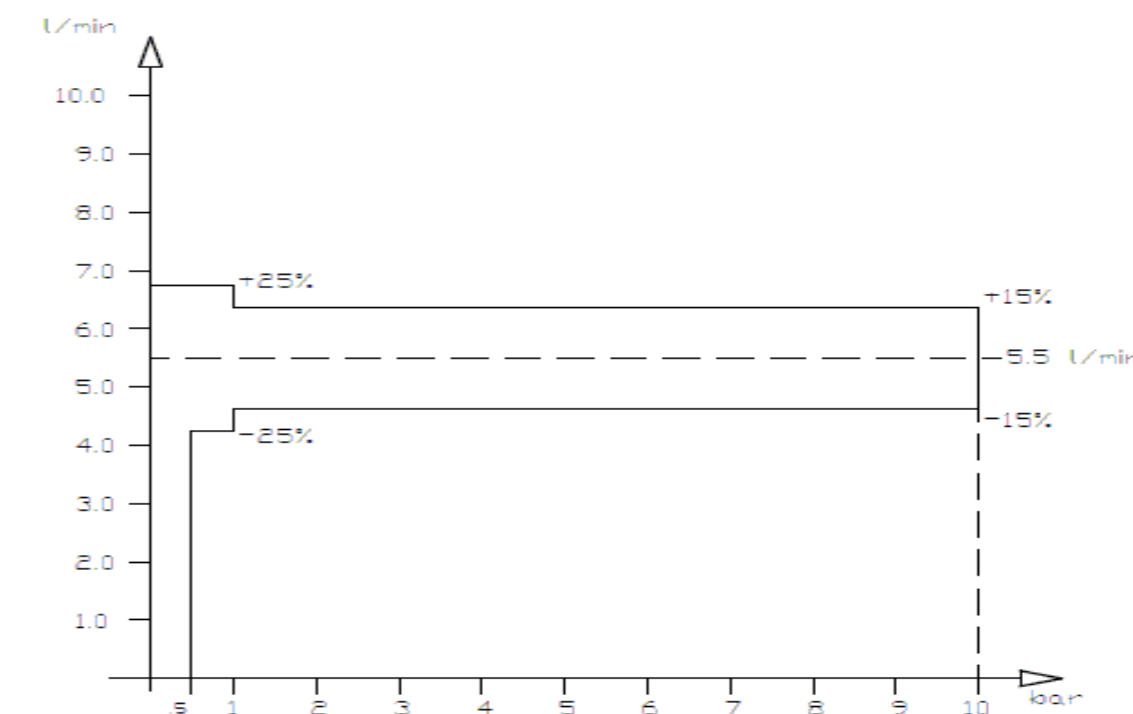
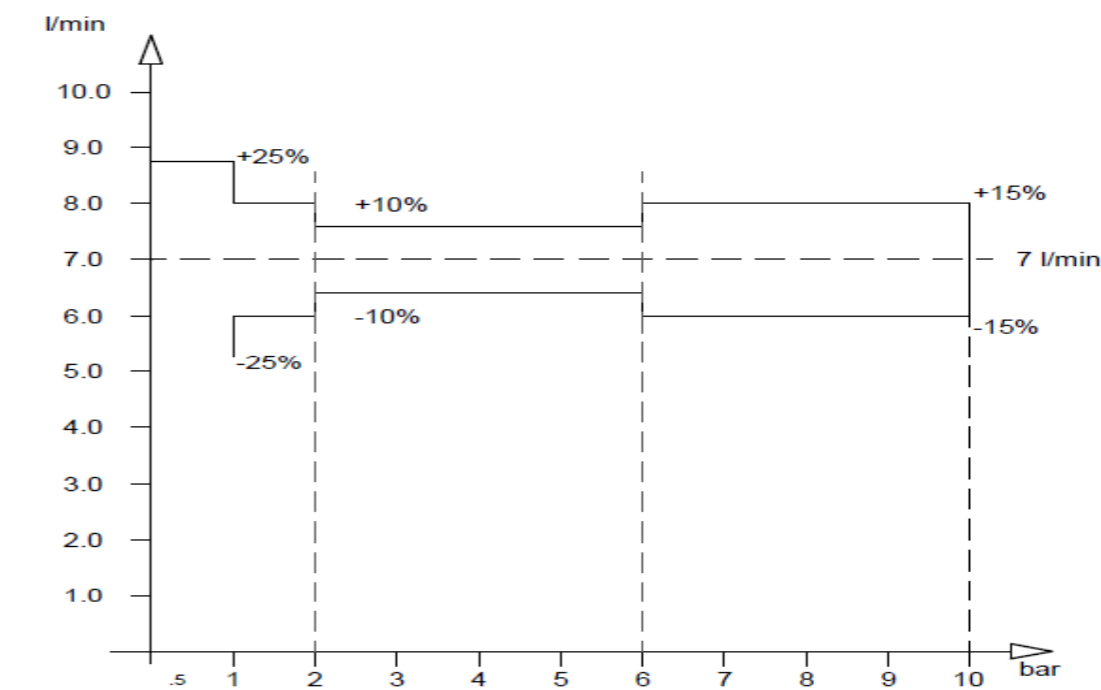


N° 2 GASKETS



2	42524600	R25/2-2c		Blue
1	42524590	R25/2-2a		White
EXIT N°	COIL ASSY	CONNECTOR		COLOR

CODE	INLET F.R.	OUT_1 F.R.	OUT_2 F.R.	NOTES
50500571	7 L/min (see graph)	--	--	for Manisa
50500581	5.5 L/min (see graph)	--	--	for Comanza
50500361	7 L/min (see graph)	--	--	for Gimplast / Radomsko
50500371	7 L/min (see graph)	--	--	for Vertic Poland
50500381	7 L/min (see graph)	--	--	For Comanza
50500391	7 L/min (see graph)	--	--	For Lipetsz
50500590	7 L/min (see graph)	--	--	For Poprad



**CHARACTERISTICS:**  
 ELECTRICAL RATING 220/240V 8VA  
 INSULATION CLASS II  
 OPERATING PRESSURE 0.2-10 bar (0.02- 1Mpa)  
 TEMPERATURES AND SERVICES T60 °C Tm25 °C 100% ED  
 FLOW RATES see table

B		15/03/2017	MONCADA	Added code 50500590
A		09/01/2015	MORO	Added codes 581 ; 361 ; 371 ; 381 ; 391
N°	Date	By	CHANGES	
DRN	11-Jul-13	MORO	Title	
CHD	11-Jul-13		Scale 1:1	
APPR.	11-Jul-13	A. Rotta	VALVE EDL90/88-L	
Issued	11-Jul-13	A. Poretti	ASSY 220/240V P2.5 Ø0.056 AW	
TP REFLEX GROUP			Code	O0006641
Model file name:			B	Finish derived from
Tolerances			ang.	
When not shown			±1°	
CAD Drawing - Not allowed any hand modification. Copyright by T&P. Any reproduction without written authorization is forbidden.				

CRITICAL DIMENSIONS

A2