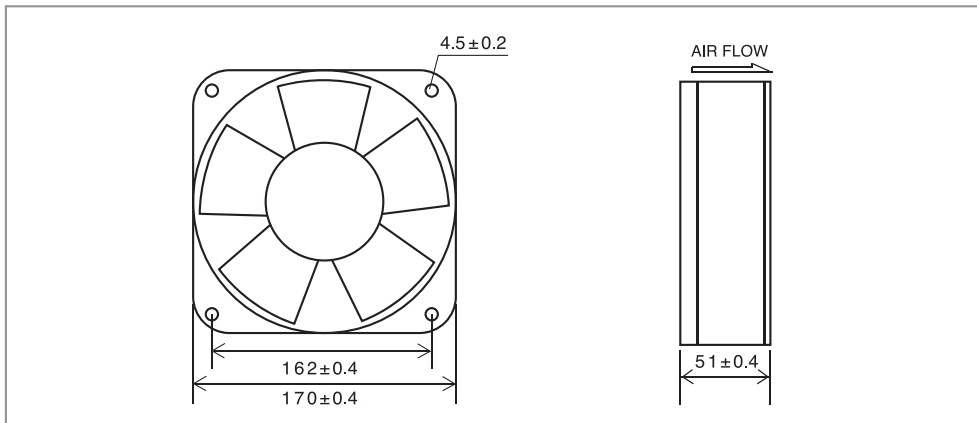




170x170x51mm

UNITS:mm



Model	Size	Voltage	Hz	Power Current A.	Power Consumption w.	Speed Rpm	Air Flow Cfm	Noise dBA	Bearing
FN-1751SB	172*150*51	220-240	50/60	0.23/0.21	36/35	2300/2500	150/180	52/53	Sleeve
FN-1751BB	172*150*51	220-240	50/60	0.23/0.21	36/35	2400/2600	160/190	53*55	Ball