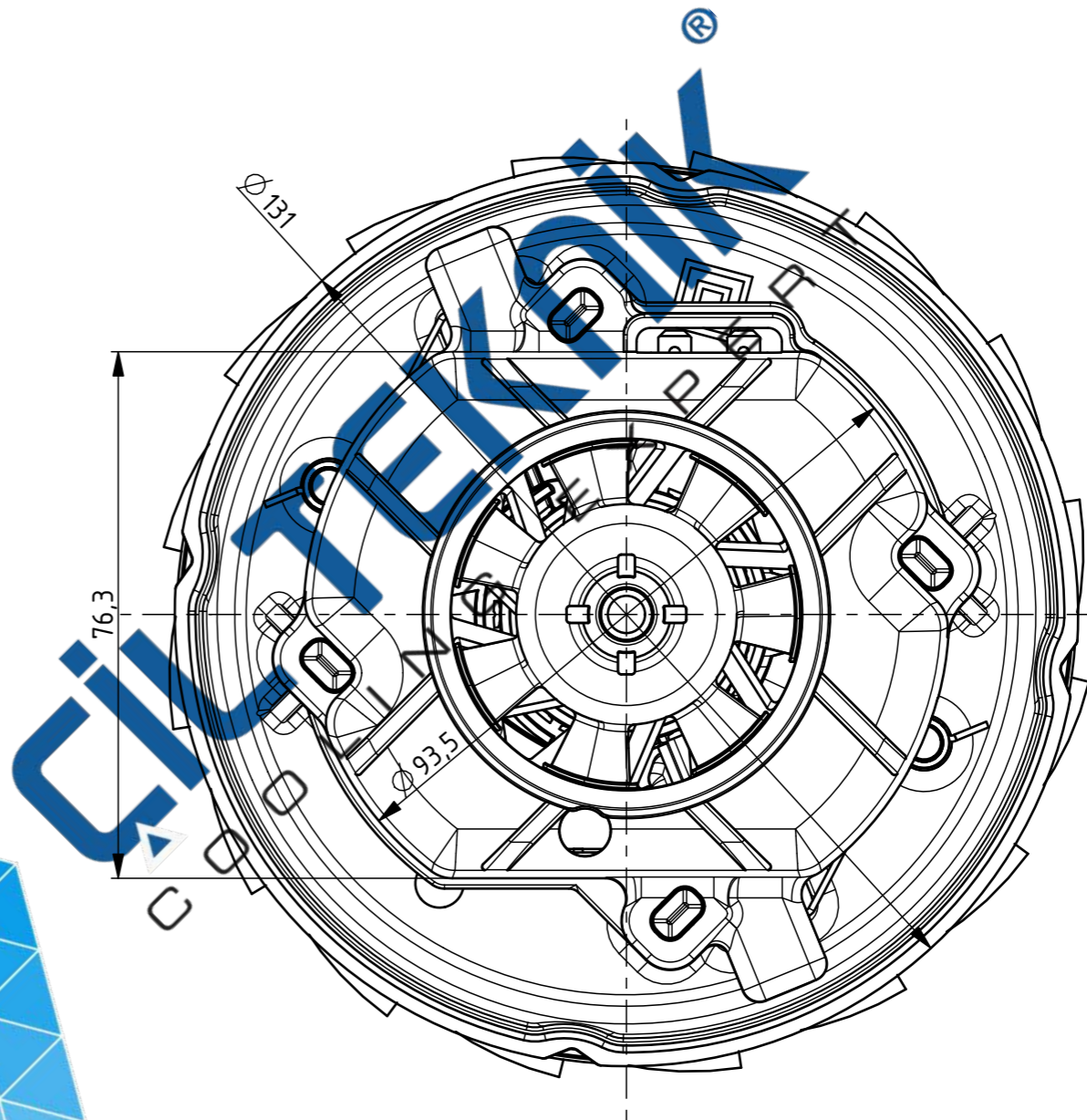
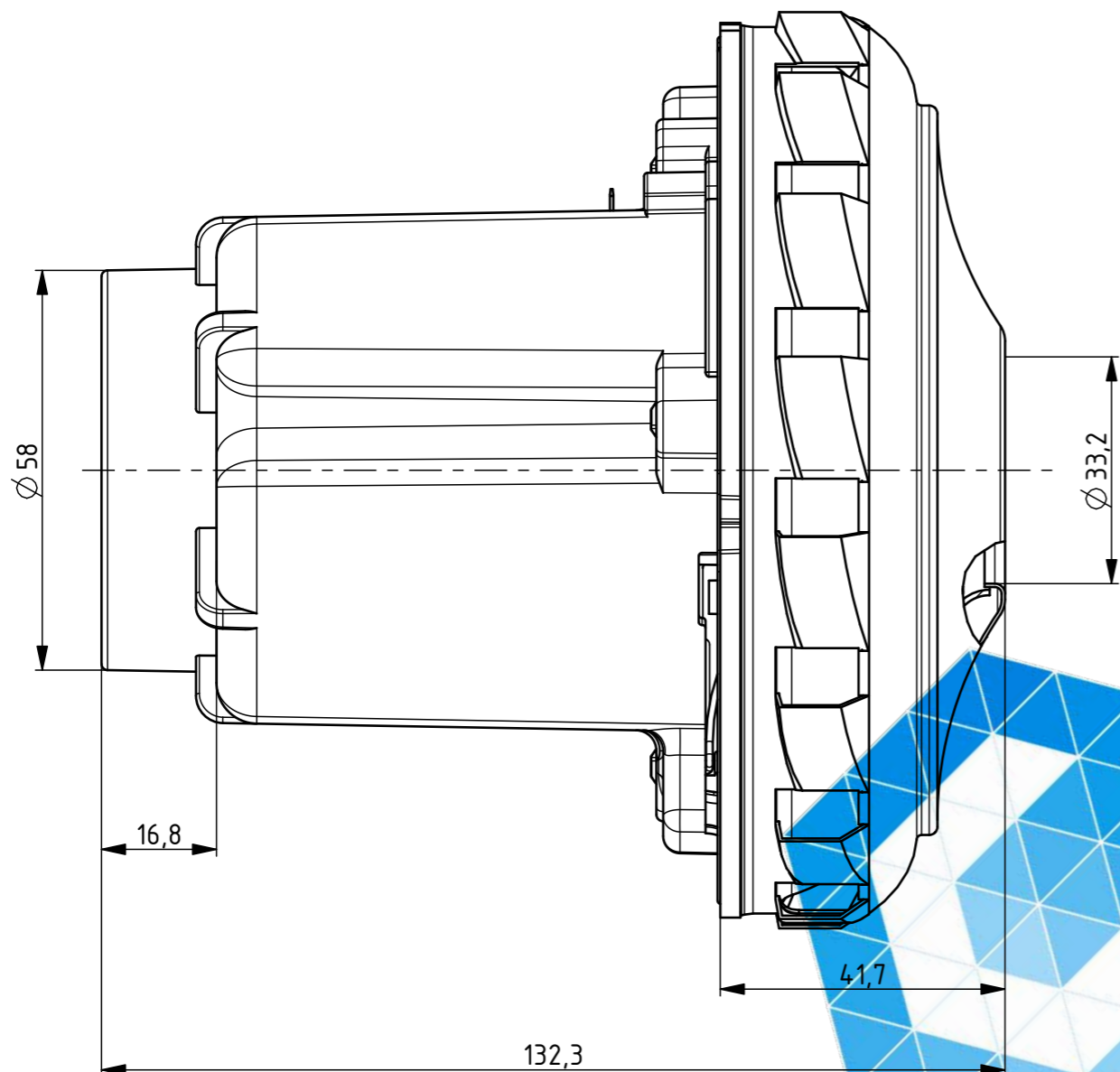


Izdelano s CAD/ProEngineer - ročno spreminjanje ni dovoljeno! Vsak prenos tretjim osebam ali uporaba v nedogovorjene namene ni dovoljena po zakonu o avtorskih pravicah. Made with CAD/ProEngineer - changing is not allowed! Any unauthorized copying of this drawing or unauthorized distribution of the information contained herein is prohibited.

NAPETOST	230 V
VOLTAGE	230 V
FREKVENCA	50 Hz
FREQUENCY	50 Hz
NAZIVNA MOČ	1600 W
NOMINAL POWER	1600 W
MAKSIMALNA MOČ	1800 W
MAXIMAL POWER	1800 W

DVOJNA IZOLACIJA
DOUBLE INSULATED

Verzija Status



Oznake natisnjene na SE:
Information stamped on VCM:

DOMEL 467.3.618-2
230 V 50 Hz
I.Cl. 180
YYWWD S NNNN
MADE IN SLOVENIA



OSNOVNE ZNAČILNOSTI		TYPICAL CHARACTERISTICS	
IZVEDBA	ENOSTOPENJSKA	FAN SYSTEM	SINGLE STAGE
VLEŽAJENJE	DVA KROGLIČNA LEŽAJA	BEARINGS	DUAL BALL
VRSTA PRETOKA	MIMO MOTORJA	DISCHARGE	BY PASS
SMER VRTENJA	DESNA	DIRECTION OF ROTATION	CW

Tolerance odprtih mer Tolerances without individual indications ISO 8015 ISO 2768 - mK		Površinska hrapavost Surface finishing		Merilo Scale 1:2	Original format ISO 5457 - A3
Datum/Date				Gradivo / Material	
Izdelal Designed 29.09.14		Ime/Name D. Vrhunc		Naziv Title SESALNA ENOTA VACUUM CLEANER MOTOR	
Pregl. Verified 29.09.14		Ime/Name J. Rihtaršič		Koda Code 467.3.618-2	
Ozn. Mark A0		Št. obvestila Nr. of notice 11487		List Sheet 3+	
Datum Date 29.09.14		Ime Name D. Vrhunc		Stran Page 1	
DOMEL® Otoki 21, 4228 Železniki, Slovenija				4673618002_SESALNA_ENOTA	