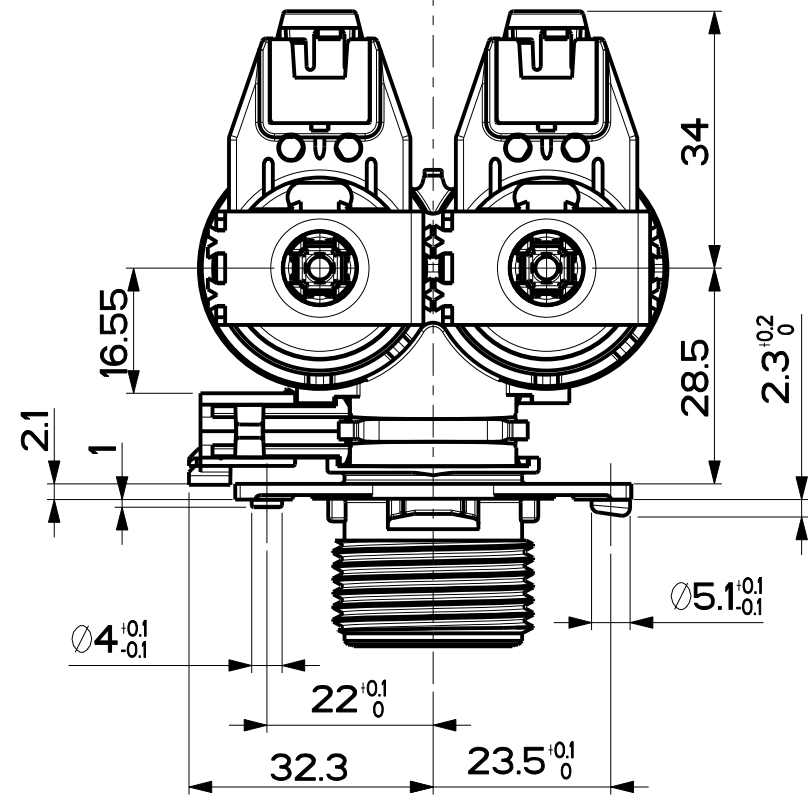
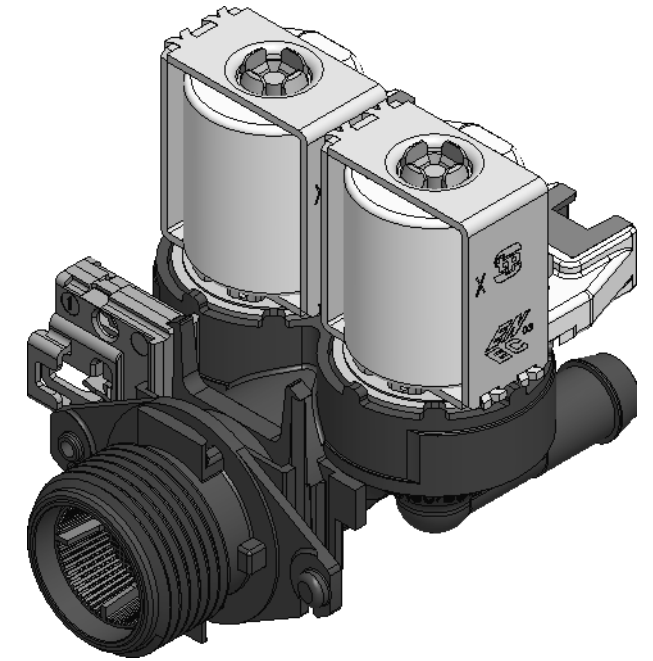
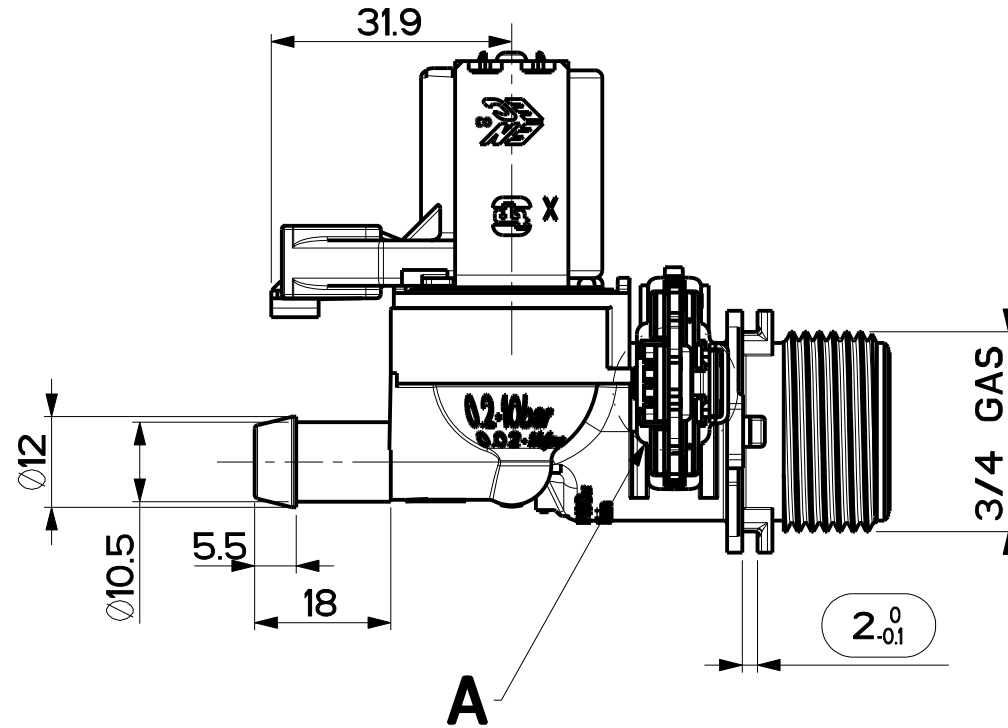
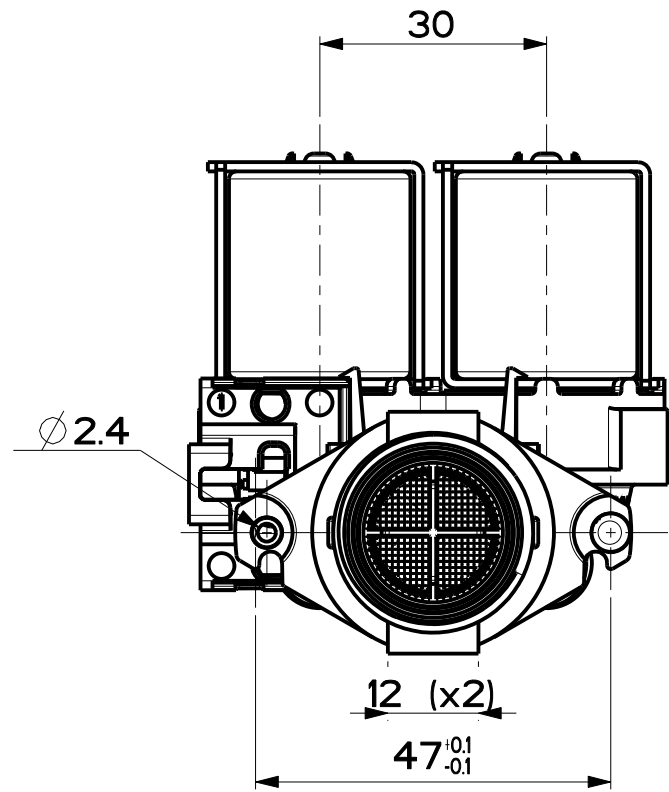


Print Customer Code 2907270100
Filter upside down

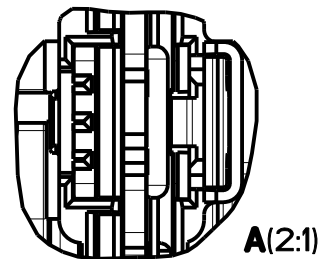
CODE	50260041	INLET F. R.	10 ±15% L/min	OUTLET F. R. 1	-----	OUTLET F. R. 2	-----
------	----------	-------------	---------------	----------------	-------	----------------	-------



CHARACTERISTICS:

ELECTRICAL RATING	220/240V 50/60Hz 8VA REINF.
INSULATION CLASS	II
OPERATING PRESSURE	0.2-10 bar (0.02- 1Mpa)
TEMPERATURES AND SERVICES	T60 °C Tm25 °C 100% ED T60 °C Tm90 °C AB 3/5MIN
FLOW RATES	see table
FLOWMETER IMPULSES	237±5% (1-10Bar)

DETAIL "A"
FOR RAST2.5 CONNECTOR
Universal Key



2	42523655	R2.5/2-2a	white
1	42523275	R2.5/2-2d	yellow
EXIT N°	COIL ASSY	CONNECTOR	COLOR

CRITICAL DIMENSIONS

N°	Date	By	CHANGES																									
DRN	Apr-09-18	MORO	Title	Scale 1:1																								
CHD	-	-	ED180/88-FlowMeter	Material --																								
APPR.	Apr-09-18	MORO	220/240V Reinf. SnapFix	Shrinkage --																								
Issued	Apr-09-18	MORO	Code O0006642	Finish --																								
Model file name: 50260041			Derived from	50260040																								
<table border="1"> <tr> <td>Tolerances</td> <td><18</td> <td>18:30</td> <td>30:50</td> <td>50:80</td> <td>80:120</td> <td>120:180</td> <td>180:250</td> <td>250:315</td> <td>315:400</td> <td>400:500</td> <td>ang.</td> </tr> <tr> <td>When not shown</td> <td>±0.13</td> <td>±0.16</td> <td>±0.19</td> <td>±0.23</td> <td>±0.27</td> <td>±0.31</td> <td>±0.36</td> <td>±0.40</td> <td>±0.44</td> <td>±0.48</td> <td>±1°</td> </tr> </table>					Tolerances	<18	18:30	30:50	50:80	80:120	120:180	180:250	250:315	315:400	400:500	ang.	When not shown	±0.13	±0.16	±0.19	±0.23	±0.27	±0.31	±0.36	±0.40	±0.44	±0.48	±1°
Tolerances	<18	18:30	30:50	50:80	80:120	120:180	180:250	250:315	315:400	400:500	ang.																	
When not shown	±0.13	±0.16	±0.19	±0.23	±0.27	±0.31	±0.36	±0.40	±0.44	±0.48	±1°																	