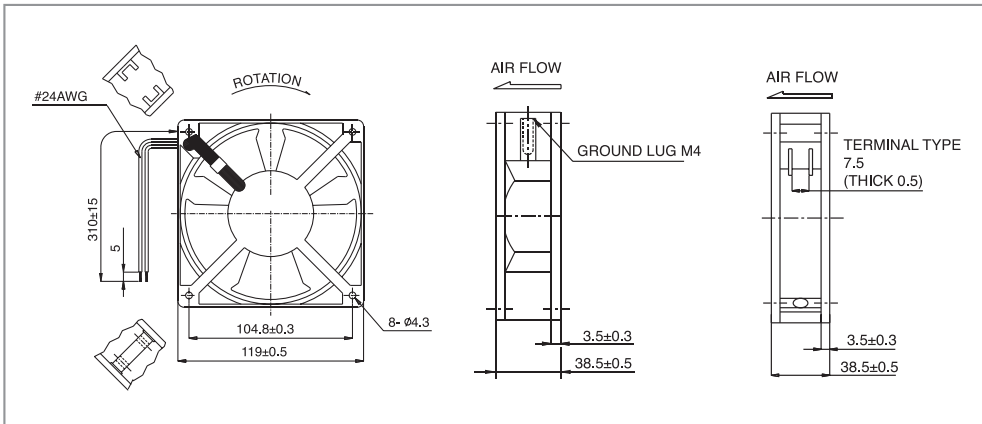




120x120x38mm

UNITS:mm



Model	Size	Voltage	Hz	Power Current A.	Power Consumption w.	Speed Rpm	Air Flow Cfm	Noise dBA	Bearing
FN-1238SB	120*120*38	220-240	50/60	0.14/0.12	22/21	2600/3000	85/100	43/48	Sleeve
FN-1238BB	120*120*38	220-240	50/60	0.14/0.12	22/21	2700/3100	95/105	45/50	Ball