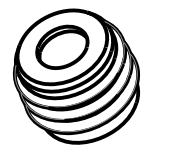
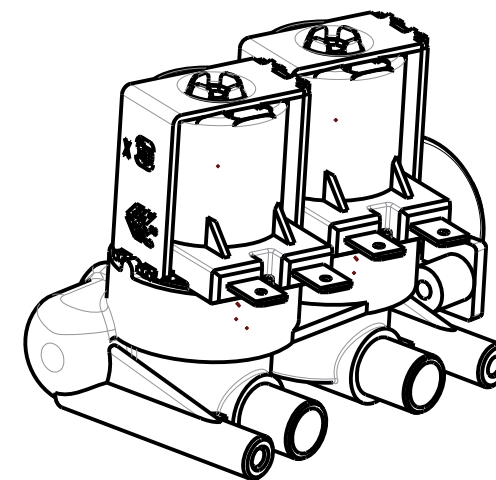
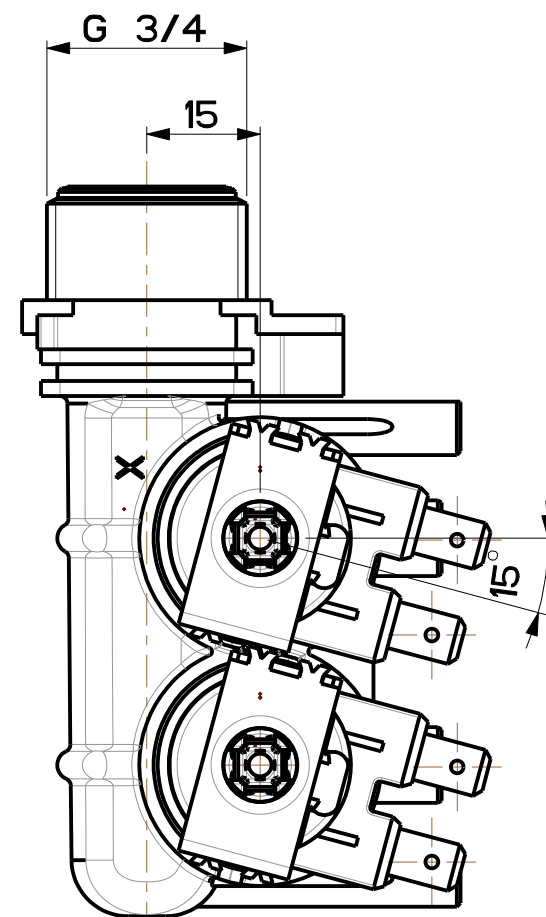
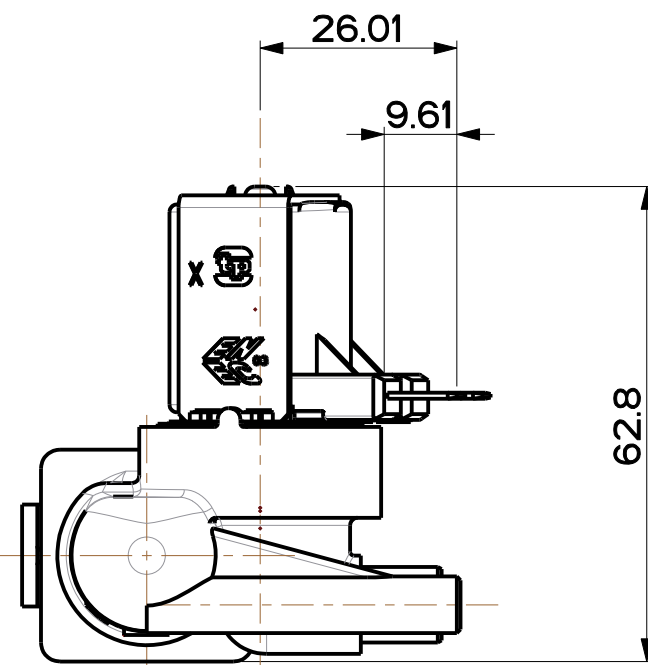
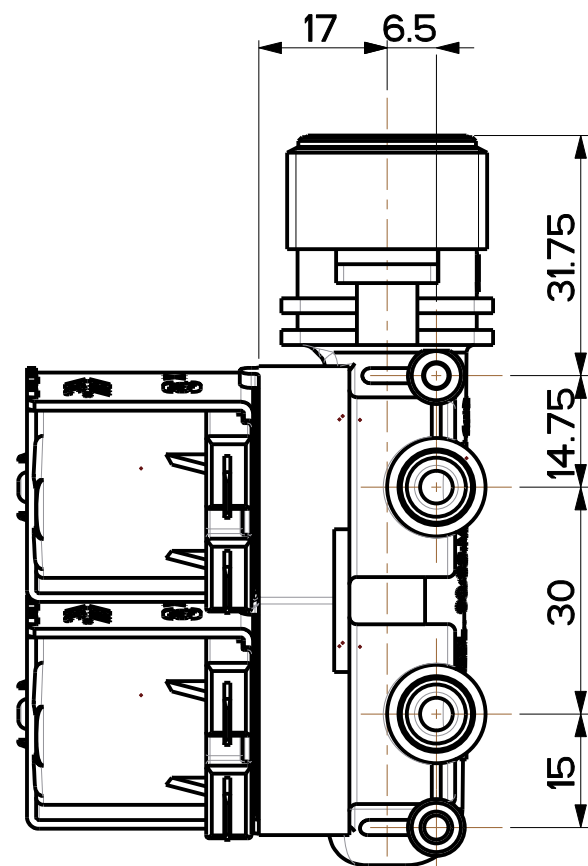


PART NUMBER	INLET FLOW RATE	OUTLET F. R. 1,2	NOTES
50500101	7 ±15% L/min	---	with TW coil
50500106	7 ±15% L/min	---	with AW coil
50500250	7 ±15% L/min	---	with AW coil and fumigated pallet



N° 2
GASKET



CHARACTERISTICS:
ELECTRICAL RATING 220/240V 50/60Hz 8VA
INSULATION CLASS II
OPERATING PRESSURE 0.2-10 bar (0.02- 1Mpa)
TEMPERATURES AND SERVICES T60 °C Tm25 °C 100% ED

N°	Date	By	CHANGES
E	19/05/21	MORO	Changed coil orientation to 15°
D	22/01/21	Moncada	Added code 50500250
C	18/01/18	Moncada	Added code 50500106 and created 3D file
B	19/5/09	Gelain	Changed coils toothless
2	2/12/02	C I	Adeguato codice t&p a codice merloni 16001129502
1	26/6/00	C I	Variato codice materiale del corpo (era 30500300 in zytel)
A	10/2/99	M C	Aggiunto note

DRN	Date	By	Title	Scale	
CHD	Jan-22-21	Gelain	VALVE EDL 90/88 M. ASSEMBLY 220/240V COMUNANZA	1:1	
APPR.	-	-		Material	--
Issued	-	-		Shrinkage	--
				Finish	--
			Code	Derived from	
			O0006639	E	

CRITICAL DIMENSIONS

Model file name:	50500101_TAB										
Tolerances	<18	18:30	30:50	50:80	80:120	120:180	180:250	250:315	315:400	400:500	ang.
When not shown	±0.13	±0.16	±0.19	±0.23	±0.27	±0.31	±0.36	±0.40	±0.44	±0.48	±1°