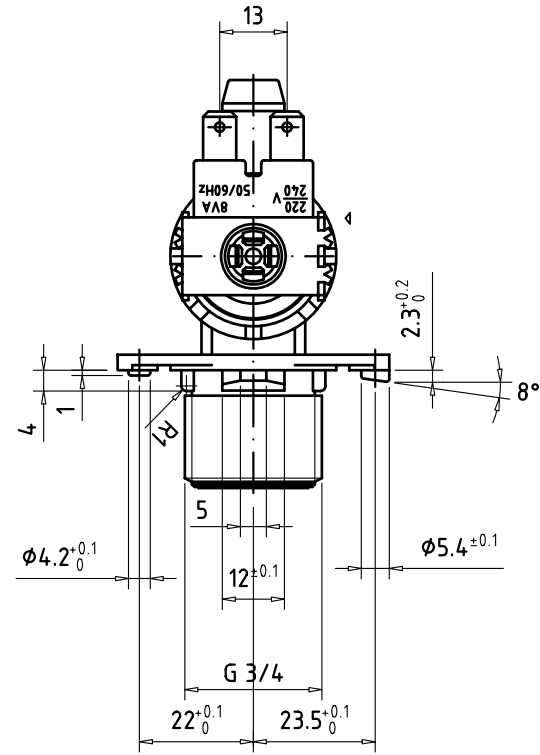


**CHARACTERISTICS:**

ELECTRICAL RATING	220/240V 50/60Hz 8VA
INSULATION CLASS	II
OPERATING PRESSURE	0.2 + 10 bar (0.02 + 1Mpa)
TEMPERATURES AND SERVICES	T60°C Tm25°C 100% ED
	T60°C Tm90°C AB 3/5MIN
<b>FLOW REGULATORS</b>	see table



CODE	INLET F. R.	OUTLET F. R.
50110260	5 ± 15 % L/min	-----
50110290	7 ± 15 % L/min	-----
50110320	8 ± 15 % L/min	-----
50110840	8 ± 15 % L/min	-----
50110890	7 ± 15 % L/min	-----
50110950	10 ± 15 % L/min	-----

Print 3501  
fagor

N°	Date	By	CHANGES
H	9/11/09	Gelain	Added hole diam. 2.4
G	18/11/08	Gelain	Deleted code 50111790
F	13/10/08	Gelain	Added code 50111790
E	13/5/04	Gelain	AGGIUNTO SCRITTA FILTRO ROSSO AL CODICE 50111280
D	5/5/04	Gelain	AGGIUNTO CODICE 50111280
C	12/11/01	C.Insinna	AGGIUNTO CODICE 50110950
B	21/02/01	C.Insinna	AGGIUNTO CODICE 50110890

DRN	14/10/08	Gelain	Title <b>VALVE ES 180/88 BP</b> ASSEMBLY 220/240V SNAP FIX	Scale	1:1
CHD				Material	-
APPR				Shrinkage	-
Issued				Finish	-
Code			<b>O0006646</b>	Derived from	-

File H:\Archivio Prodotto\5XXX PRODOTTI FINITI\501 valvole ESS saldate\501ES180\50110260.dwg

Tolerances	<18	18-30	30-50	50-80	80-120	120-180	180-250	250-315	315-400	400-500	ang.
When not shown	±0.13	±0.16	±0.19	±0.23	±0.27	±0.31	±0.36	±0.40	±0.44	±0.48	±1°