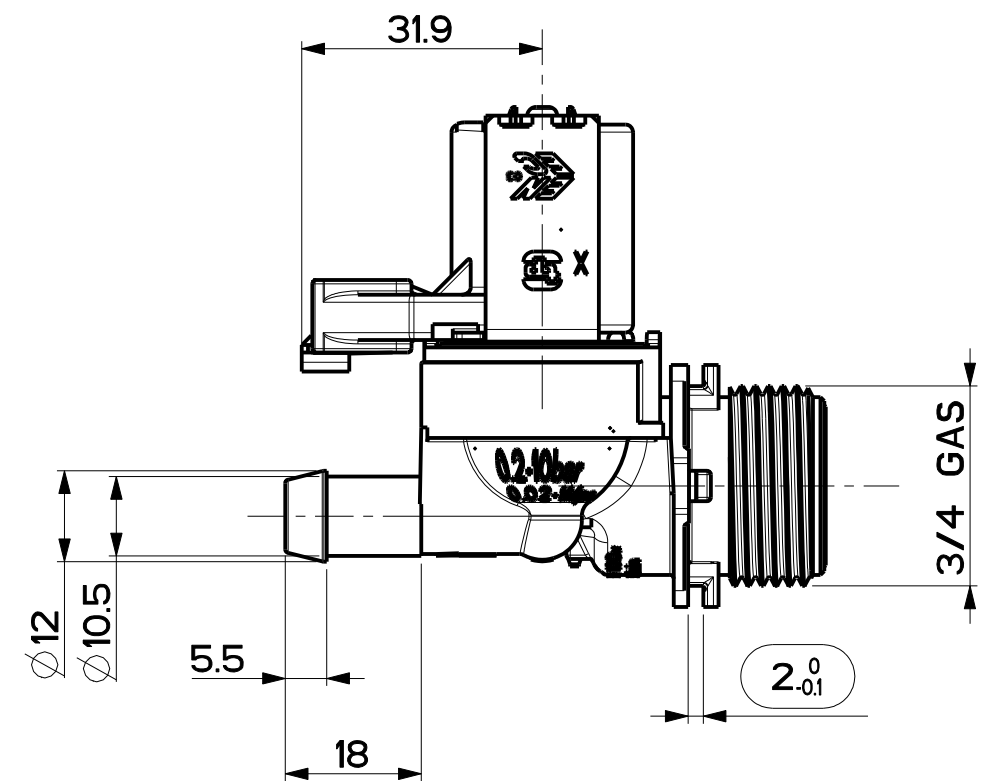
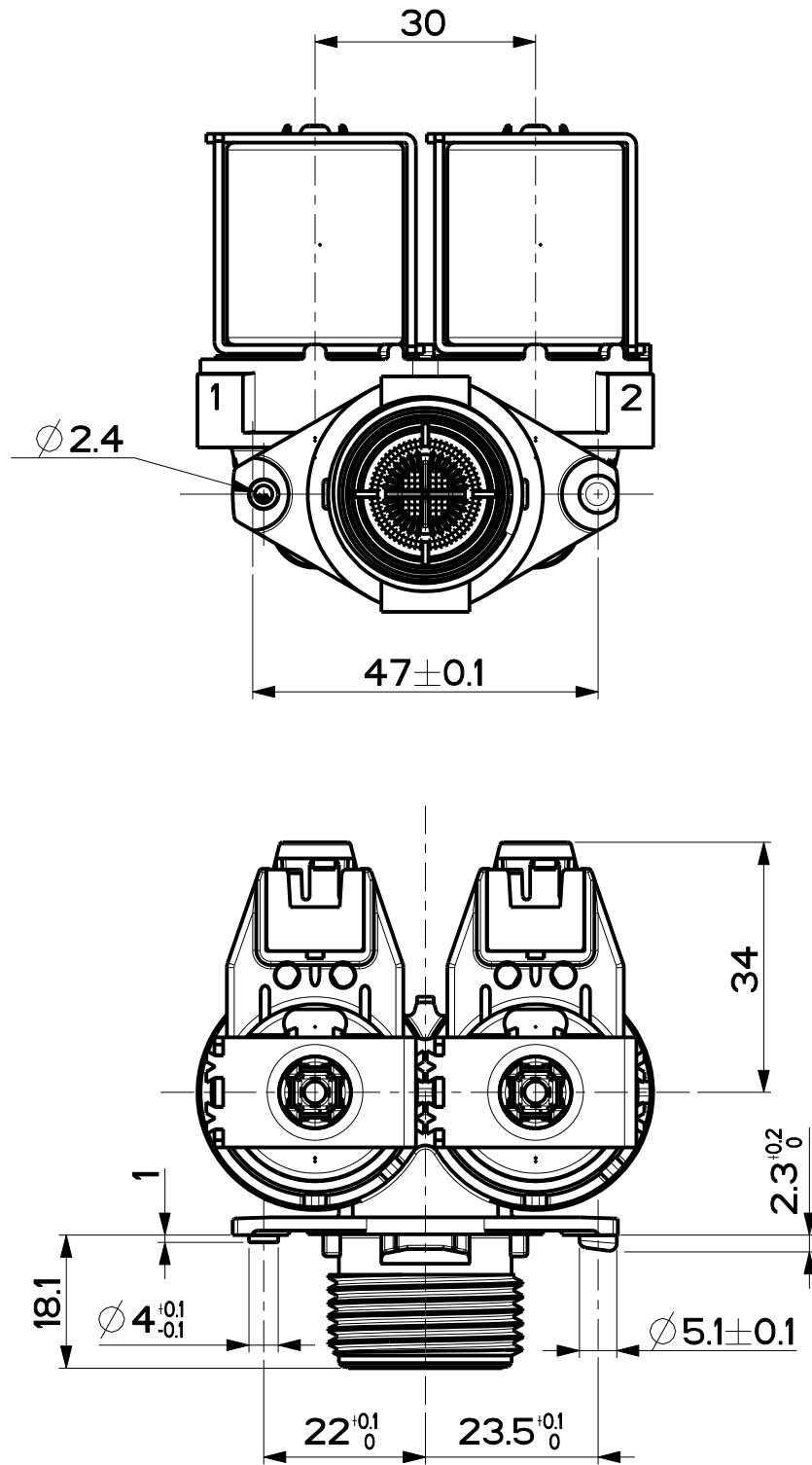


CODE	INLET F. R.	OUTLET F. R. 1	OUTLET F. R. 2	Notes
50260100	10 ±15% L/min	-----	-----	Filter upside down



**CHARACTERISTICS:**

ELECTRICAL RATING	220/240V 50/60Hz 8VA
INSULATION CLASS	II
OPERATING PRESSURE	0.2-10 bar (0.02- 1Mpa)
TEMPERATURES AND SERVICES	T60 °C Tm25 °C 100% ED T60 °C Tm90 °C AB 3/5MIN

**FLOW RATES** see table

2	42524610	R2.5/2-2a	white
1	42524580	R2.5/2-2d	yellow
EXIT N°	COIL ASSY	CONNECTOR	COLOR

N°	Date	By	CHANGES																									
DRN	Sep-28-20	Moncada	Title	Scale 1:1																								
CHD	28Sep2020	Moro	VALVE ED180/88-L BP SNAPFIX ASSEMBLY 220/240V P2.5	Material --																								
APPR.	-	-	Code	Shrinkage --																								
Issued	28Sep2020	Valerio	O0006645	Finish --																								
Model file name: 50260100_TAB			Derived from --																									
<table border="1"> <tr> <th>Tolerances</th> <td>&lt;18</td> <td>18:30</td> <td>30:50</td> <td>50:80</td> <td>80:120</td> <td>120:180</td> <td>180:250</td> <td>250:315</td> <td>315:400</td> <td>400:500</td> <td>ang.</td> </tr> <tr> <td>When not shown</td> <td>±0.13</td> <td>±0.16</td> <td>±0.19</td> <td>±0.23</td> <td>±0.27</td> <td>±0.31</td> <td>±0.36</td> <td>±0.40</td> <td>±0.44</td> <td>±0.48</td> <td>±1°</td> </tr> </table>					Tolerances	<18	18:30	30:50	50:80	80:120	120:180	180:250	250:315	315:400	400:500	ang.	When not shown	±0.13	±0.16	±0.19	±0.23	±0.27	±0.31	±0.36	±0.40	±0.44	±0.48	±1°
Tolerances	<18	18:30	30:50	50:80	80:120	120:180	180:250	250:315	315:400	400:500	ang.																	
When not shown	±0.13	±0.16	±0.19	±0.23	±0.27	±0.31	±0.36	±0.40	±0.44	±0.48	±1°																	

CRITICAL DIMENSIONS