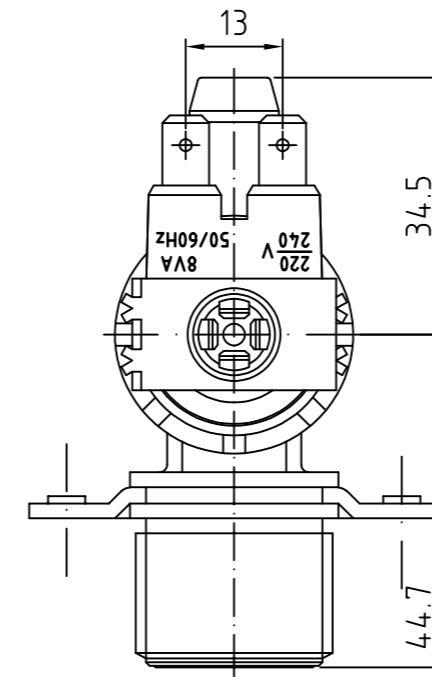
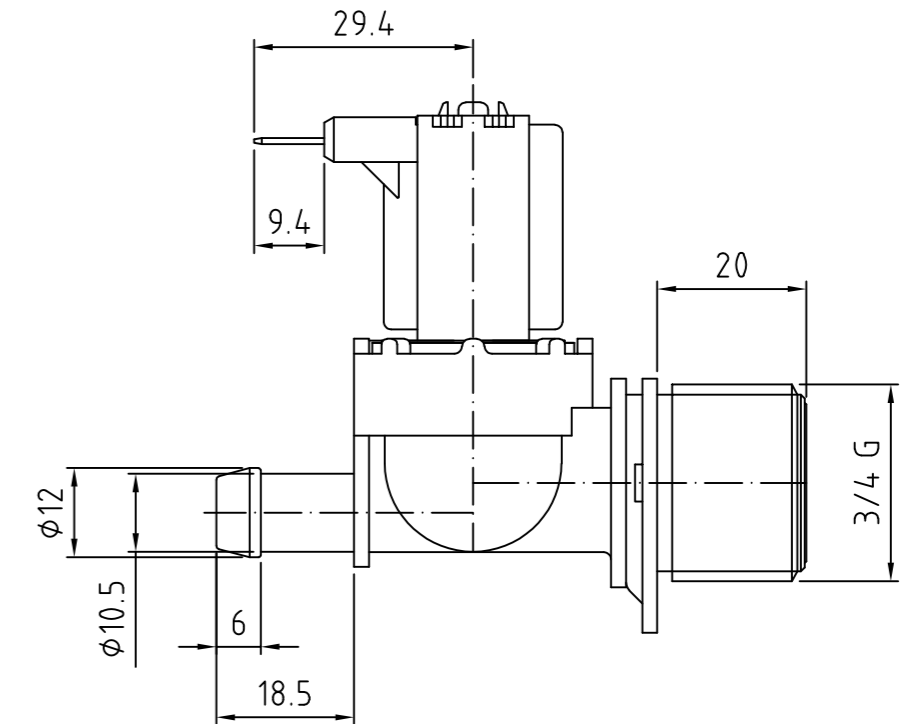
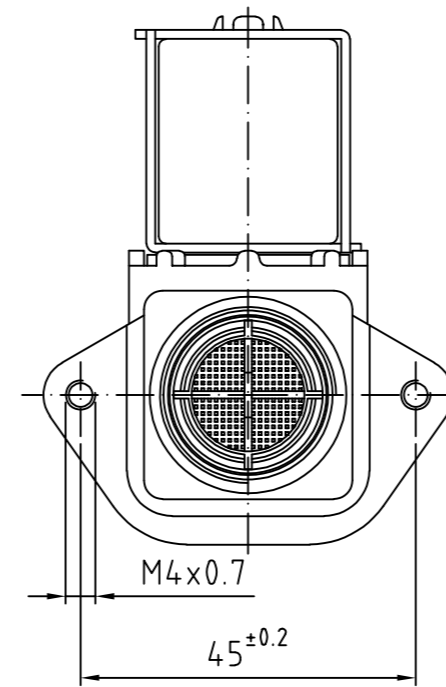


CODE	INLET F. R.	OUTLET F. R.	
50110000	5 ± 15 % L/min	-----	
50110020	10 ± 15 % L/min	-----	
50110030	10 ± 15 % L/min	-----	
50110100	-----	-----	
50110110	-----	-----	
50110130	-----	0.25 ± 25 % L/min	
50110140	-----	1 ± 25 % L/min	
50110141	-----	-----	
50110150	-----	1.2 ± 25 % L/min	
50110161	-----	-----	
50110170	3 ± 15 % L/min	2.5 ± 25 % L/min	
50110250	5.5 ± 15 % L/min	-----	
50110300	8 ± 15 % L/min	-----	
50110350	10 ± 15 % L/min	-----	
50110360	10 ± 15 % L/min	-----	
50110410	14 ± 15 % L/min	-----	
50110430	16 ± 15 % L/min	-----	
50110440	20 ± 20 % L/min	-----	without filter
50110770	-----	-----	label NSF
50110810	7 ± 15 % L/min	-----	filter yellow
50110820	3 ± 15 % L/min	-----	
50110970	-----	-----	label UL
50111580	20 ± 20 % L/min	-----	without filter-epdm
50111750	10 ± 15 % L/min	-----	neutral box
50111880	20 ± 20 % L/min	-----	
50122010	10 ± 15 % L/min	-----	filter red
50112060	10 ± 15 % L/min	1.5 ± 25 % L/min	
50112700	10 ± 15 % L/min	-----	with fumigated pallet



CHARACTERISTICS:

ELECTRICAL RATING	220/240V 50-60Hz 8VA
INSULATION CLASS	II
OPERATING PRESSURE	0.2 ± 10 bar (0.02 ± 1Mpa)
TEMPERATURES AND SERVICES	T60°C Tm25°C 100% ED T60°C Tm90°C AB 3/5MIN
FLOW REGULATORS	see table

S	21/1/21	Valerio	Added code 50112700
R	22/3/13	Gelain	Added code 50112060
Q	31/5/12	Gelain	Added code 50122010
P	28/7/09	Gelain	Added code 50111880
O	7/5/08	Gelain	Added code 50111750
N	19/7/07	Gelain	Deleted code 50110770
M	4/5/06	Gelain	Aggiunto codice 50111580
L	25/1/06	Gelain	Annulato codici 50110161-360
I	25/09/03	GELAIN	AGGIUNTO CODICE 50110141
H	06/09/02	C. INSINNA	AGGIUNTO CODICE 50111040
G	04/06/02	C. INSINNA	ANNULLATO CODICI 50111010 E 50111020
F	22/05/02	C. INSINNA	AGGIUNTO CODICI 50111010 E 50111020
E	07/03/02	C. INSINNA	AGGIUNTO CODICE 50110970
N°	Date	By	CHANGES
DRN	23/4/07	gelain	Title
CHD			VALVE ES 180/88 BP
APPR.			ASSEMBLY 220/240V
Issued			Code
			O0006625
			Scale 1:1
			Material -
			Shrinkage -
			Finish -
			Derived from -

File	H:\Archivio	Prodotto	SXX	PRODOTTI FINITIVI	501	valvole ESS	saldate	501ES180	50110000.dwg			
Tolerances	-18	18-30	30-50	50-80	80-120	120-180	180-250	250-315	315-400	400-500	ang.	±1°
When not shown	±0.13	±0.16	±0.19	±0.23	±0.27	±0.31	±0.36	±0.40	±0.44	±0.48	±1°	