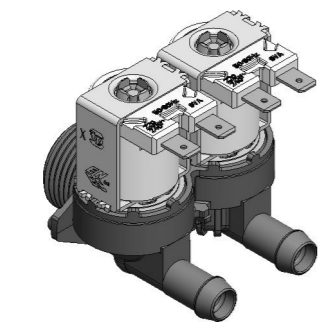
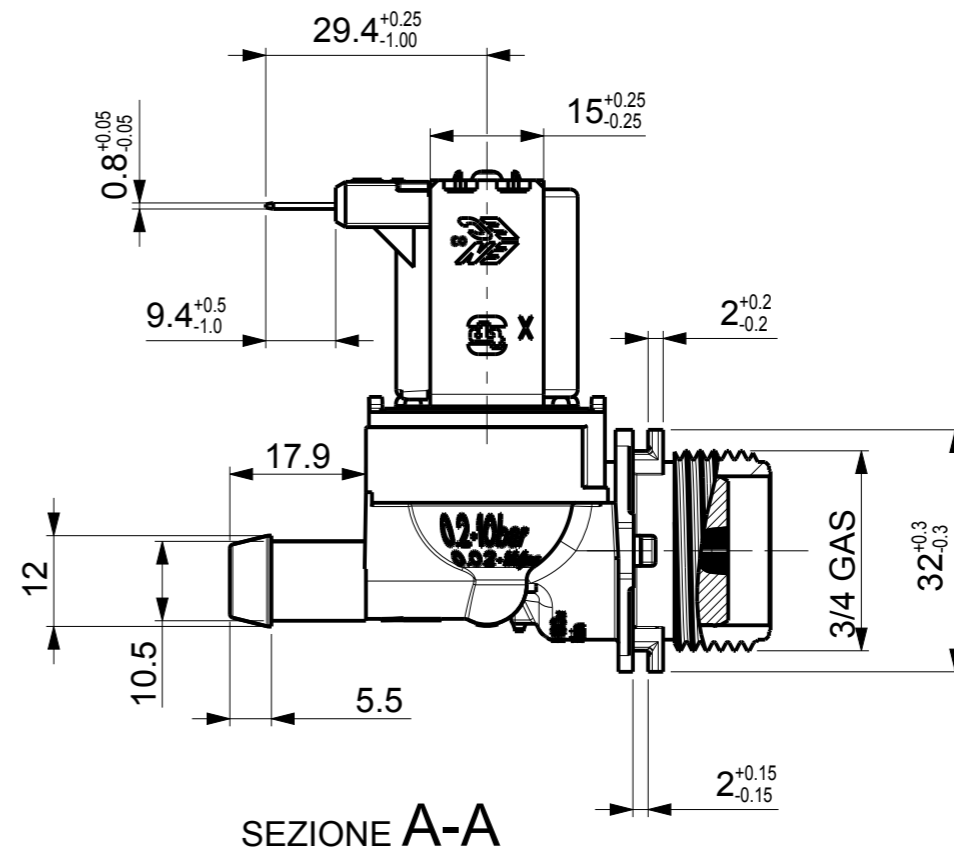
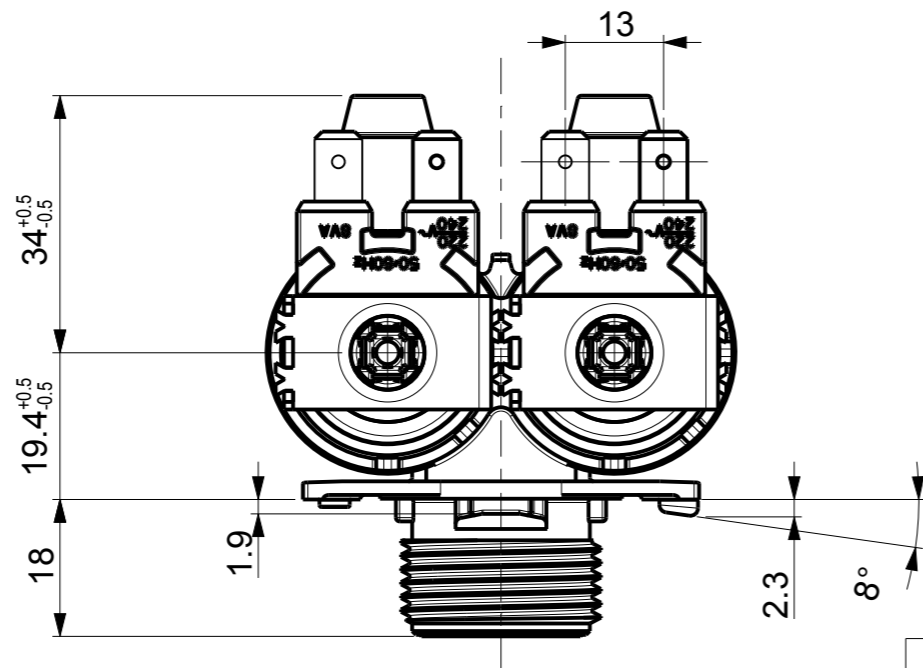
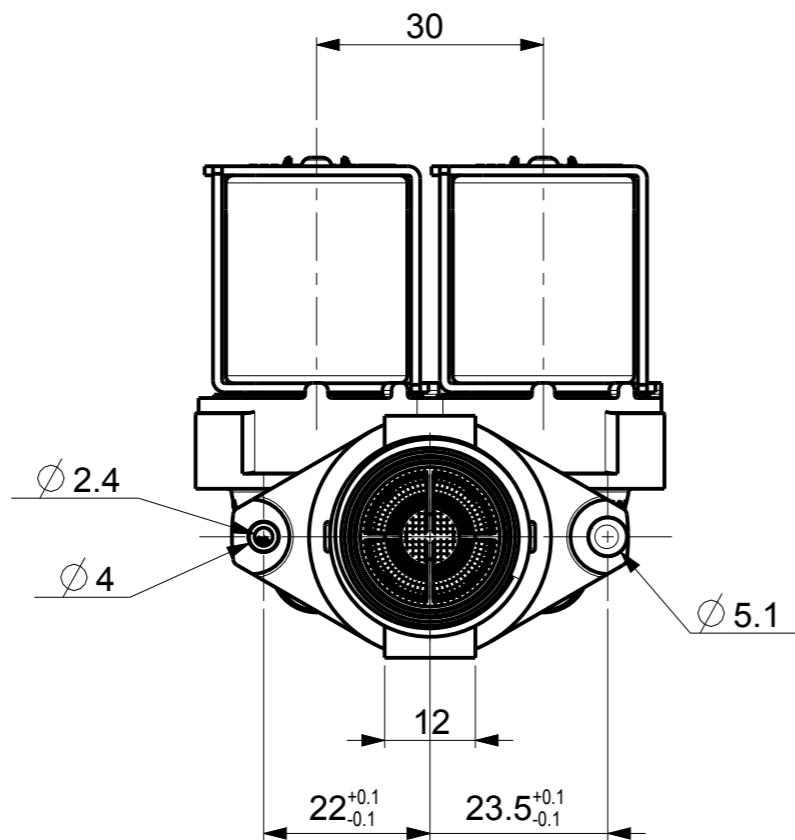


CODE	INLET F.R.	OUT_1 F.R.	OUT_2 F.R.	NOTES
50260080	8 ± 15% L/min	--	--	Filter upside down
50211025	8 ± 15% L/min	--	--	Coil blue on exit 1 Print customer code: 41013615



SCALA 1:2



CHARACTERISTICS:

ELECTRICAL RATING 220/240V 50/60Hz 8VA
 INSULATION CLASS II
 OPERATING PRESSURE 0.2-10 bar (0.02- 1Mpa)
 TEMPERATURES AND SERVICES T60°C Tm25°C 100% ED
 T60°C Tm90°C AB 3/5MIN
 FLOW RATES see table

CHANGES												
N°	Date	By	Title									
A	28/05/20	Moncada	Added code 50211025									
DRN	May-28-19	MONCADA	VALVE ED180/88-L BP SNAPFIX ASSEMBLY 220/240V									
CHD	-											
APPR.	May-28-19	MORO										
Issued	May-28-19	VALERIO										
Code			O0006638									
Model file name:			50260080 TAB									
Tolerances	<18	18:30	30:50	50:80	80:120	120:180	180:250	250:315	315:400	400:500	ang.	
When not shown	± 0.13	± 0.16	± 0.19	± 0.23	± 0.27	± 0.31	± 0.36	± 0.40	± 0.44	± 0.48	± 1°	

CRITICAL DIMENSIONS