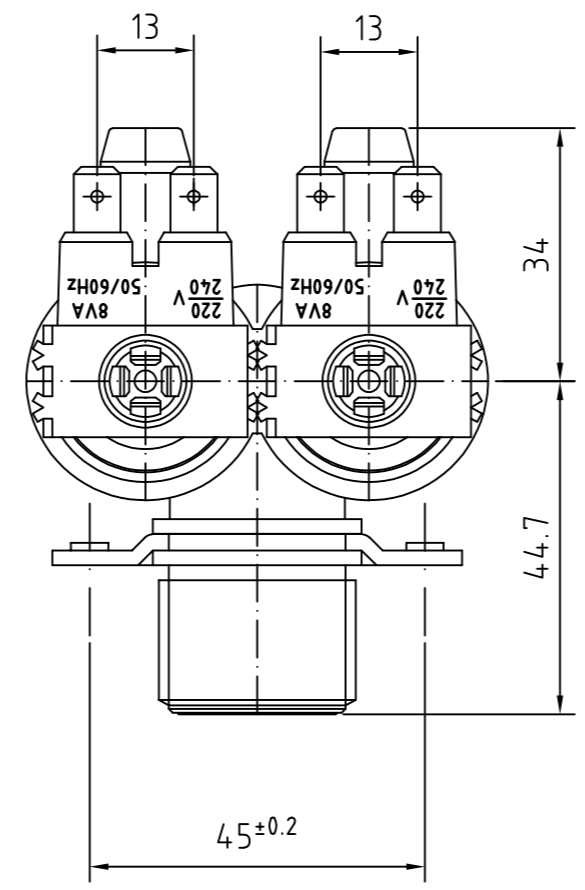
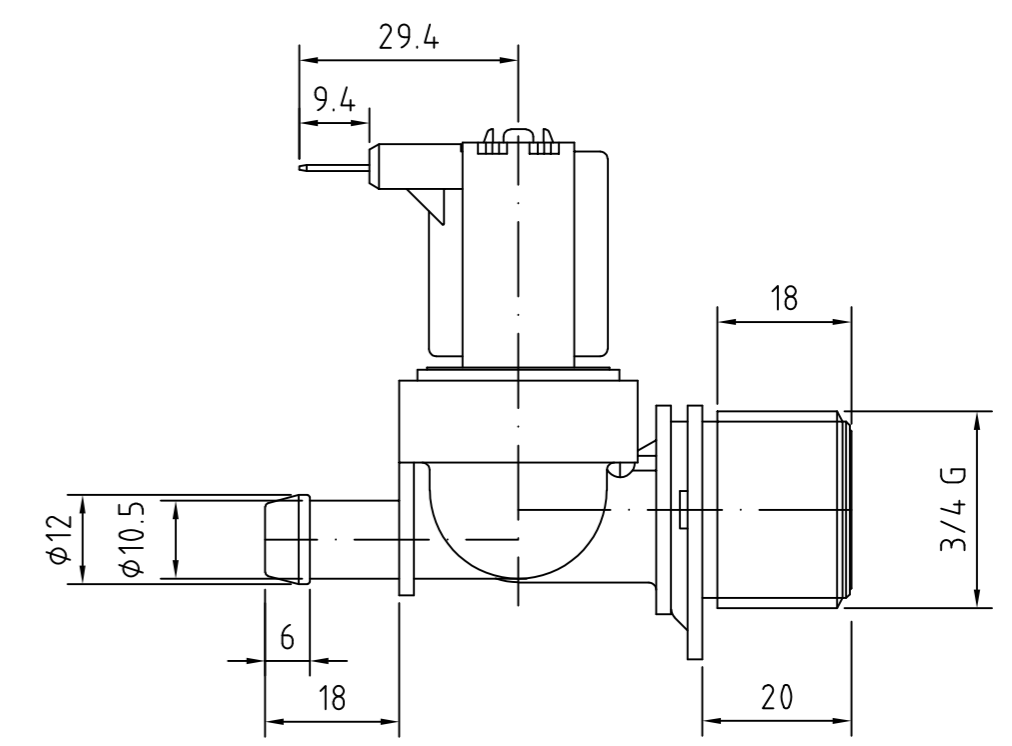
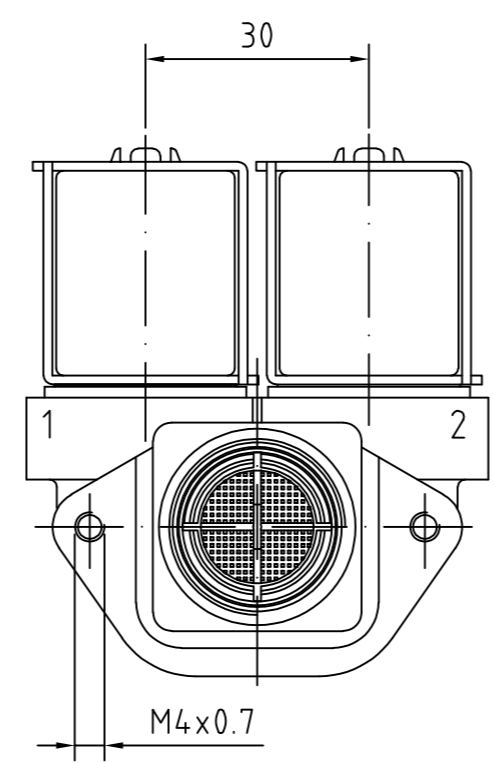


CODE	INLET F. R.	OUTLET F. R. 1	OUTLET F. R. 2
50210041	5.5 ± 15 % L/min	---	---
50210060	8 ± 15 % L/min	---	---
50210070	10 ± 15 % L/min	---	---
50210140	---	---	---
50210150	3 ± 15 % L/min	2.5 ± 25 % L/min	2.5 ± 25 % L/min
50210221	5.5 ± 15 % L/min	---	---
50210400	10 ± 15 % L/min	0.25 ± 25 % L/min	---
50210430	11 ± 15 % L/min	---	---
50210440	12 ± 15 % L/min	0.25 ± 25 % L/min	---
50210460	20 ± 20 % L/min	5 ± 20 % L/min	---
50210550	10 ± 15 % L/min	---	---
50210171	---	---	---
50210720	---	---	---
50211340	10 ± 15 % L/min	---	---
50211580	10 ± 15 % L/min	1.5 ± 25 % L/min	1.5 ± 25 % L/min
50211800	2.5 ± 15 % L/min	---	---
50212040	10 ± 15 % L/min	---	---

label UL
neutral box
with fumigated pallet



CHARACTERISTICS:	
ELECTRICAL RATING	220/240V 50-60Hz 8VA
INSULATION CLASS	II
OPERATING PRESSURE	0.2 ÷ 10 bar (0.02 ÷ 1Mpa)
TEMPERATURES AND SERVICES	T60°C Tm25°C 100% ED T60°C Tm90°C AB 3/5MIN
FLOW REGULATORS	see table

N°	Date	By	CHANGES
M	21/1/21	Valerio	Added code 50212040
L	23/6/15	Gelain	Added code 50211800
I	22/3/13	Gelain	Added code 50211580
H	7/5/08	Gelain	Added code 50211340
G	19/7/07	Gelain	Deleted code 50210660
1	26/1/06	Gelain	Annullato i codici 50210130-270-370-600 e cambiato codice disegno era 50210040
F	14/09/04	Gelain	Annullato codice 50210770 e nota nelle caratteristiche
E	26/05/03	GELAIN	AGGIUNTO CODICE 50210770
D	07/03/02	C. INSINNA	AGGIUNTO CODICE 50210720
C	29/06/01	C. INSINNA	AGGIUNTO CODICE 50210660
B	26/01/01	C. INSINNA	CODICE 50210221 ERA 50210220 (VARIATO MATERIALE DEL CORPO)
A	14/03/00	C. INSINNA	AGGIUNTO CODICE 50210171 (ERA 50210170 CON STAFFA IN PLASTICA INT. 45 POS. A)

DRN	Date	By	Title	Scale
CHD	25/9/1997	Insinna	VALVE ED 180/88 BP	1:1
APPR.			ASSEMBLY 220/240V	Material -
Issued				Shrinkage -
				Finish -
				Derived from -

Tolerances	-18	18-30	30-50	50-80	80-120	120-180	180-250	250-315	315-400	400-500	ang.
When not shown	±0.13	±0.16	±0.19	±0.23	±0.27	±0.31	±0.36	±0.40	±0.44	±0.48	±1°