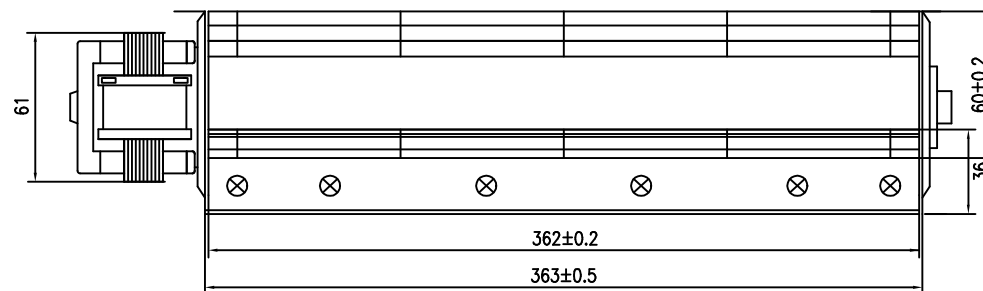
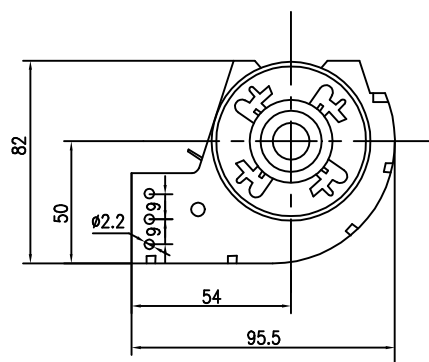
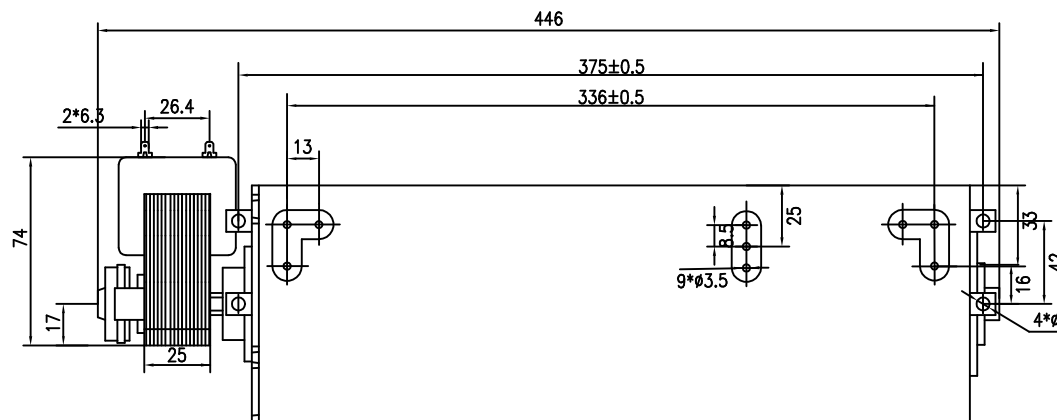


A

A



B

B

skills requirement:

- 1.loading:220V 50Hz 1800rpm 27W 0.20A;
- 2.class:B;
- 3.Electrical strength:1500AC.V/50Hz/5mA;
- 4.Motor steering:CCW(From the motor shaft end);
- 5.Insulation resistance: $\geq 50M\Omega$ (At 25℃, relative humidity $\leq 75\%$)
- 6.The limit deviation of the non-tolerance dimensions is in accordance with GB / T1804-m

Designed by	Checked by	Approved by - date	File name	Date 2021.9.23	Scale 1:1.5
Techno Fan			Cross flow fan LB60×360 (right)		
			ONSQ.300.2136		Edition 1

1

2