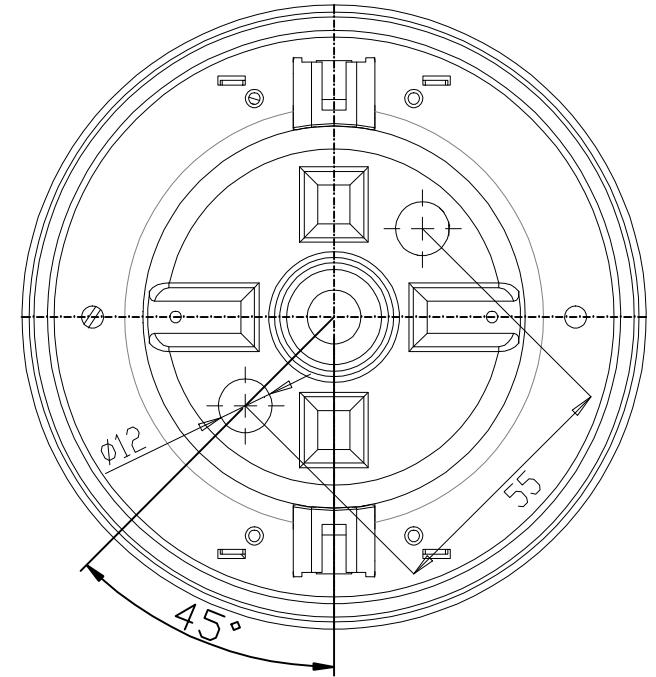
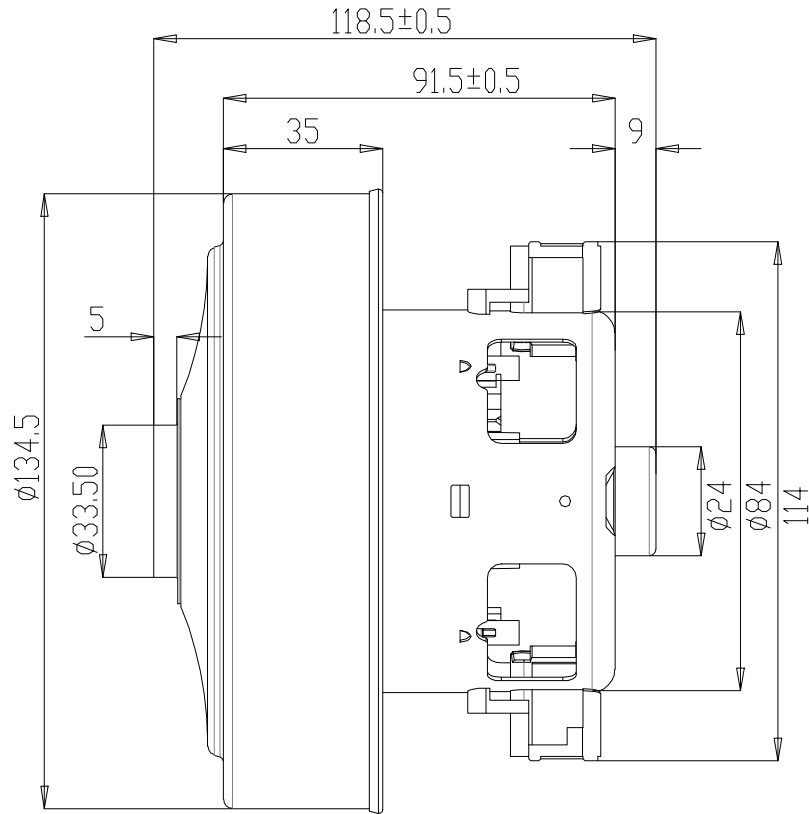


# TB35HD

## Parameters

额定电压 (V) Rated Voltage	220-240		
额定频率 (Hz) Rated Frequency	50/60		
额定输入功率 (W) Rated Input Power	1400	1800	2000
最大真空度 (KPa) Max Vacuum Degree	≥29	≥33	≥34
最大风量 (m <sup>3</sup> /min) Max Airflow	≥2.8	≥3.2	≥3.3
最大吸入功率 (W) MAX Suction Power	≥450	≥530	≥620
最大效率 (%) Max Efficiency	≥35	≥35	≥35
温升 (K) Temperature Rise	≤115	≤115	≤115
振动 (mm/S) Vibration	≤15	≤15	≤15
噪声 (dB) Noise	≤94	≤94	≤94
寿命 (h) Life	≥500		
火花等级 Spark	≤2		
绝缘等级 Class	F		



6	1.0				DIMENSIONAL TOLERANCE			DESIGNED BY	MATERIAL	见表格	PART NAME	
					DIM	GRADE		CHECKED BY	QUANTITY	1	TYPE	TB35HD
					0~6	0.10			WEIGHT		PART NO.	
					6~30	0.20		APPROVED BY	SCALE	1/1	DRW NO.	
					30~120	0.30			UNIT	MM		VER
7	ITEM NO.	DESCRIPTION	DRAWN BY	DATE	ANGULAR	0.10						