

**TECHNICAL DATA :**

Power supply coil : 220/240 V 50/60 Hz  
 Water temperature : 25 °C 100% ED  
 Ambient temperature : 60 °C  
 Reedswitch voltage : 5 V DC  
 Operating pressure : 0.2-10 bar (0.02-1 MPa)  
 Flow regulator : see diagram  
 Flow rate error division between outlet 1 and 2 must be max 20% (see calculated formula below)  
 Flow meter data : Reed switch, magnet  
 Flow meter output : 237 Pulse/L (see flowmeter diagram)  
 Customer code : 9000048505  
 Approvals : ENEC  
 Internal assembling according to S7144 and S10810 (flow meter)  
 Solenoid valve to be tested in according to Elbi spec. 1.176  
 Product spec. for solenoid valve with inlet flow meter 1.249  
 Customer product spec. 5500 0000028495

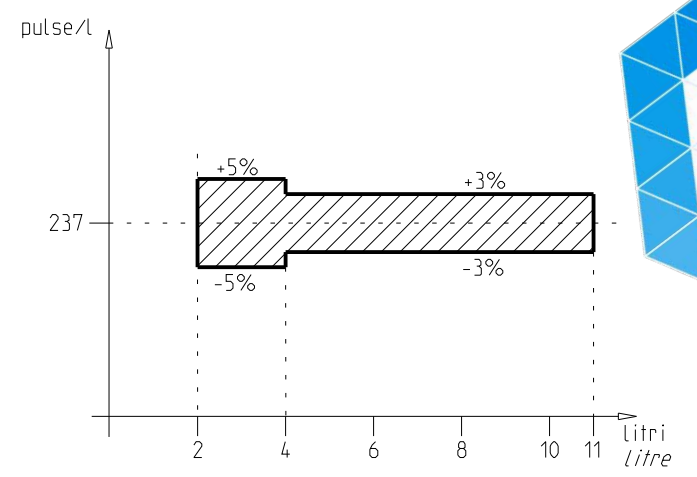
**CROSSFLOW TOLERANCE CALCULATION**

$$\frac{\text{Flow 1 ( Highest) - Flow 2 (Lowest)}}{\text{Total Flow}} \times 100 = \% \text{ difference between the 2 ways}$$

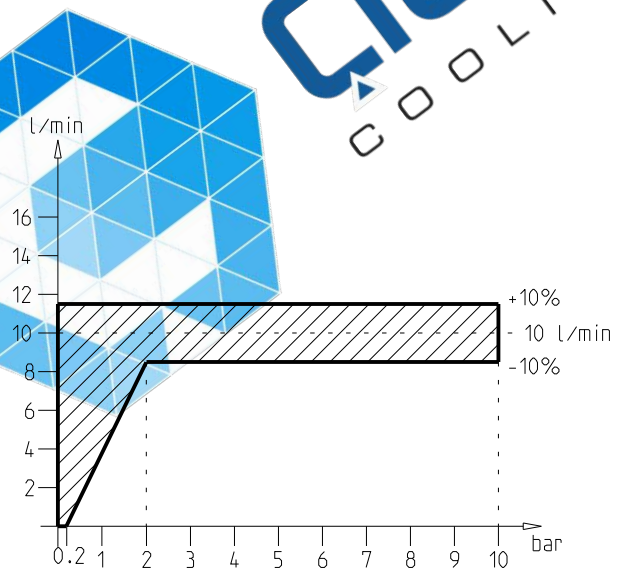
**NOTE 3**

REFERENCE	NOTE TO BE PRINTED WITH INDELIBLE INK
ELBI CODE	
CUSTOMER CODE	
PRODUCTION DATE (5 DIGITS)	ACCORDING TO GREGORIAN CALENDAR: 3 DIGITS FOR DAY + 2 DIGITS FOR YEAR

EXAMPLE 20711

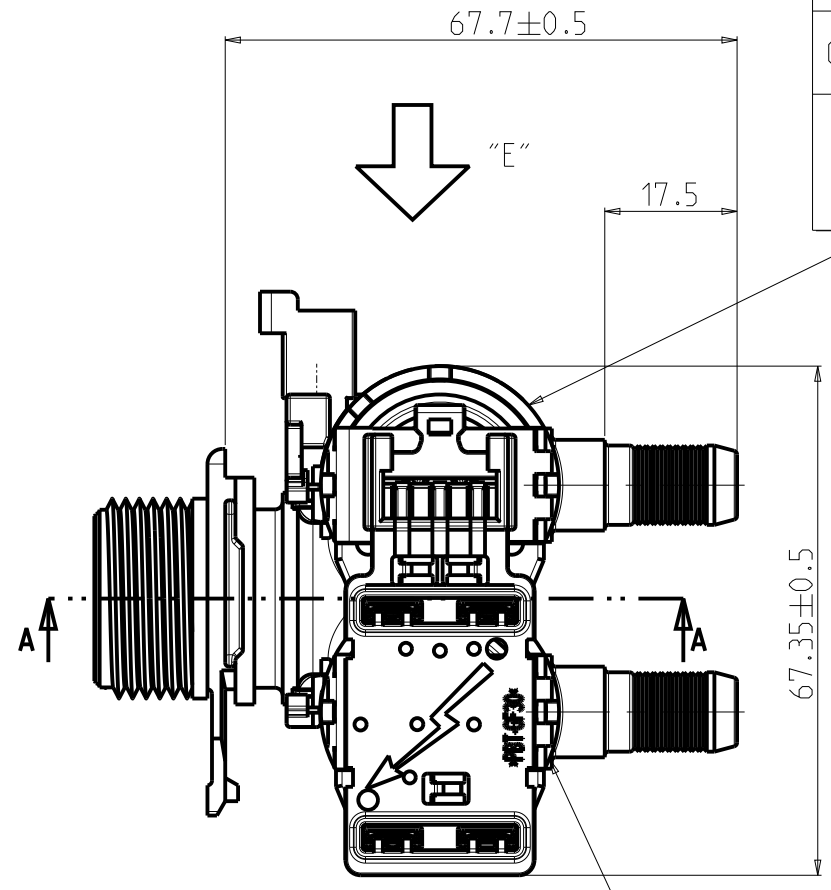
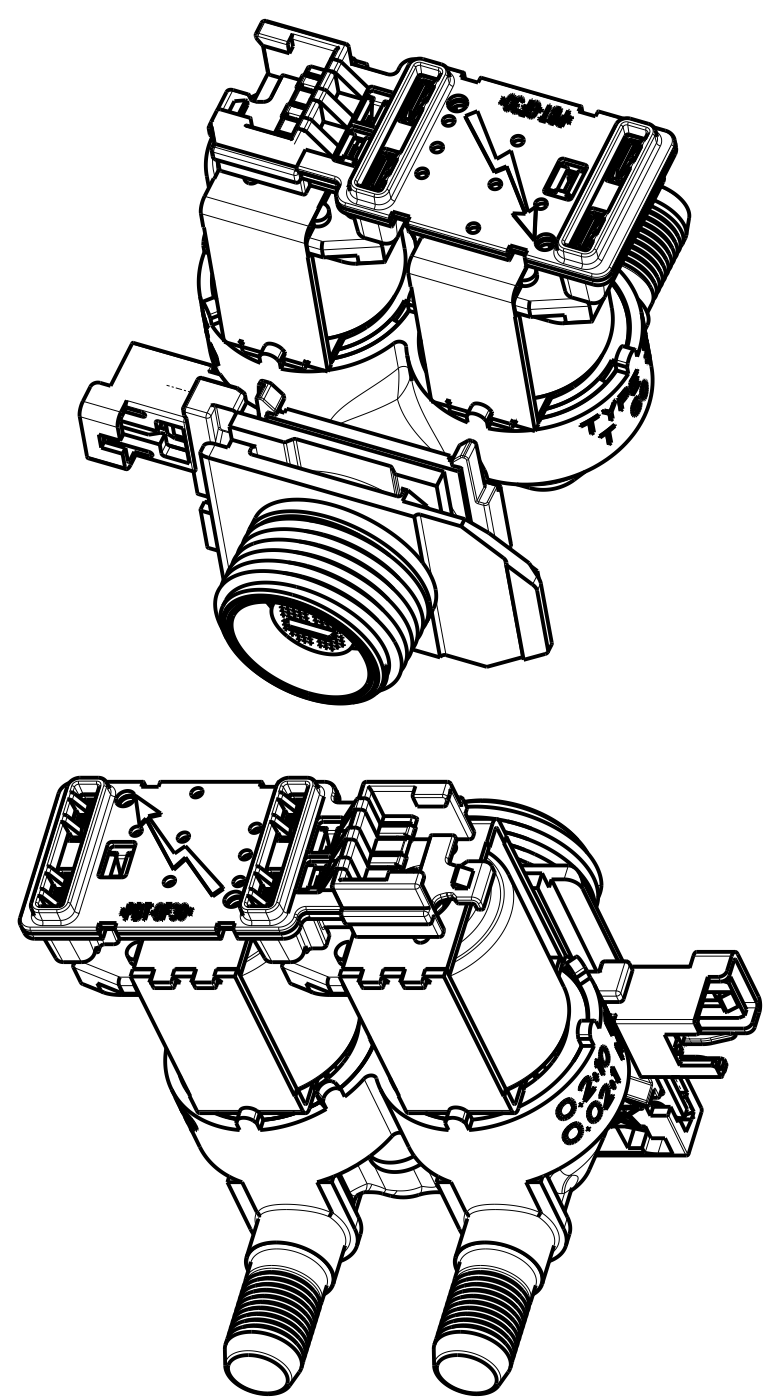
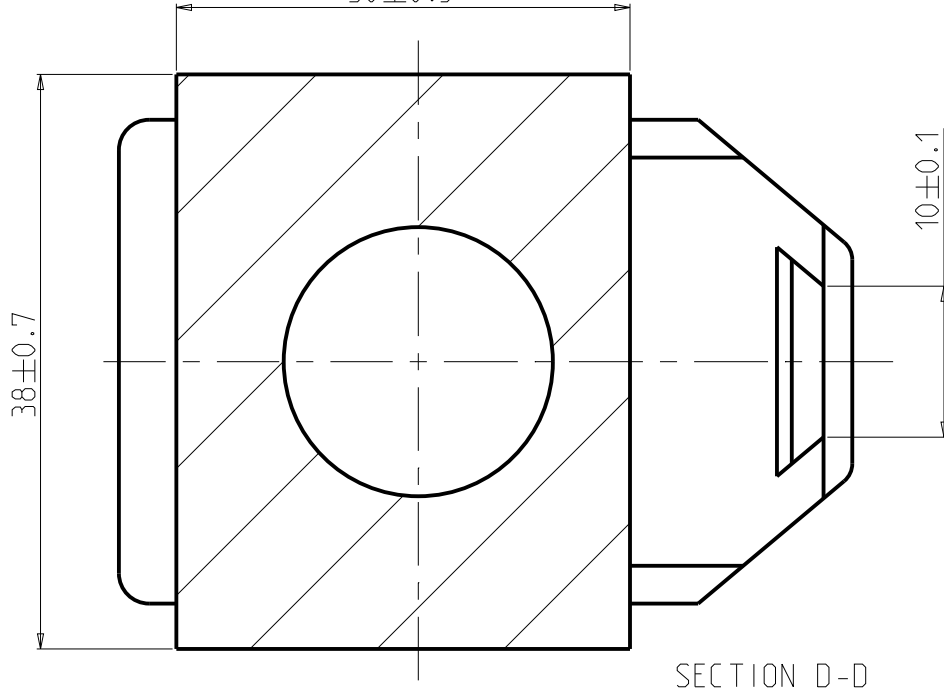
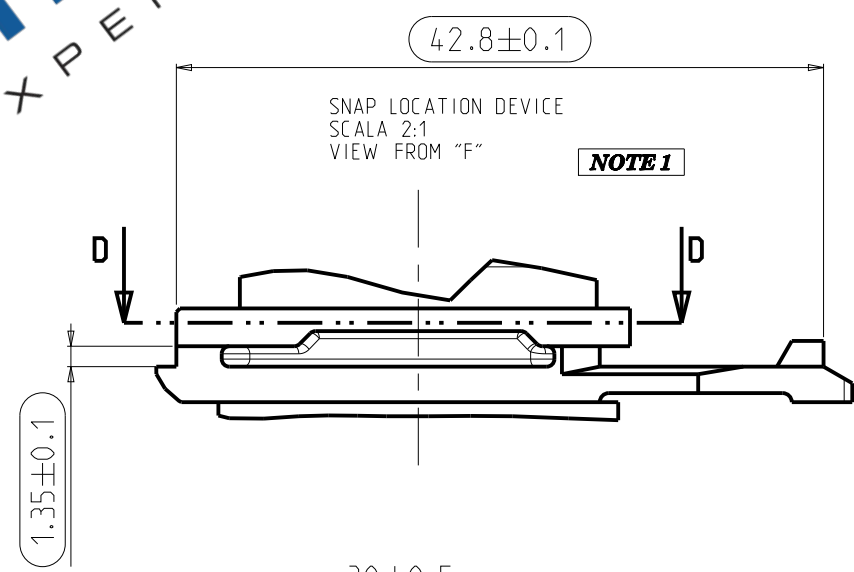


Flow meter characteristic (water temperature at 25 °C)

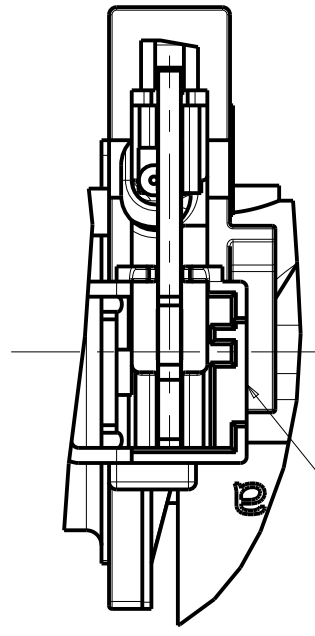


Flow rate diagram

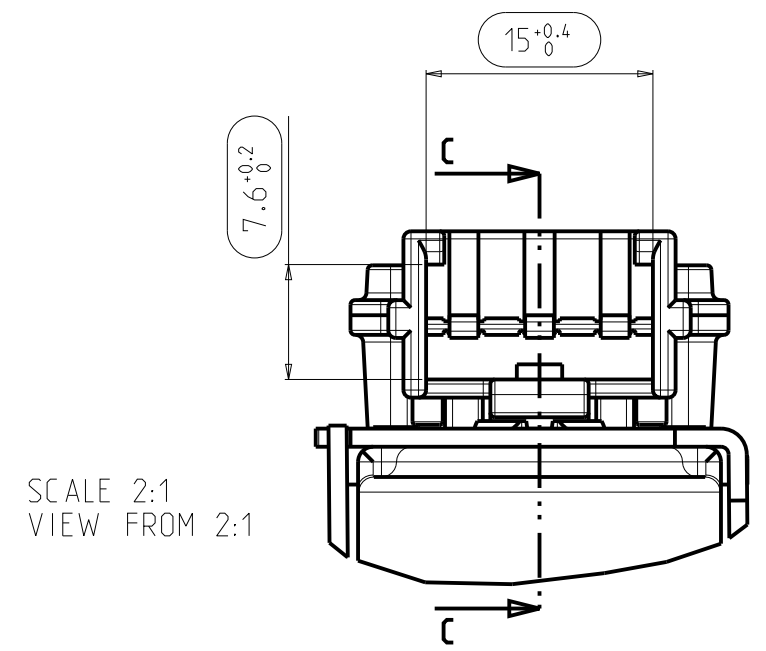
**CİL TEKNİK**  
COOLING EXPERT



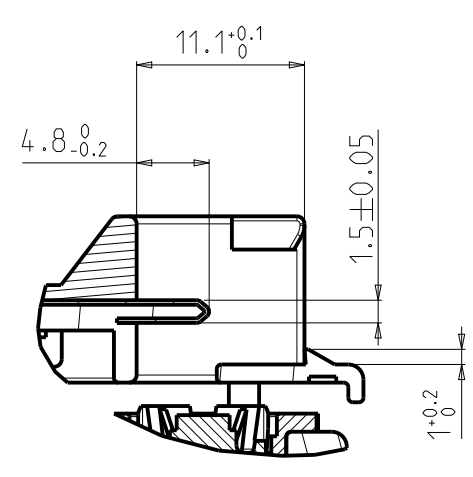
**NOTE 8**  
Date of production flowmeter assembling (dd/mmm/yyyy)



**NOTE 6**  
Connector type RAST 2.5



SCALE 2:1 VIEW FROM 2:1



SEZIONE C-C

SCALE 2:1 VIEW FROM "E"

B	/	00	22-01-16	Updated drawing -added formula for crossflow tolerance calculation	Buffol/Rendes
A	EL06672	00	25.05.15	New Issue - Introduced new one slot diaphragm guide	Baratella/Rendes
<small>PLEASE FOLLOW BITRON COMPONENT USE &amp; PRECAUTIONS INSTRUCTIONS BITRON DENIES ANY RESPONSIBILITY IF USE &amp; PRECAUTIONS ARE NOT APPLIED</small>					
<small>GEOMETRIC TOLERANCE ACCORDING TO ELBI/ BITRON TECHNICAL SPECIFICATION 03.00.00 DIMENSIONS, LENGTH AND DIAMETERS (mm) ACCORDING UNIT EN 20286 1T14</small>					
<small>UP TO 3±0.125</small>			<small>+6 TO 10±0.18</small>		<small>+18 TO 30±0.26</small>
<small>+3 TO 6±0.15</small>			<small>+10 TO 18±0.215</small>		<small>+30 TO 50±0.31</small>
<small>OVER 35±0.7</small>			<small>+80 TO 120±0.435</small>		<small>+120 TO 180±0.575</small>
<small>OVER 163.6</small>			<small>OVER 250±0.575</small>		<small>OVER 315±0.7</small>
<small>All rights strictly reserved reproduction or issue to third parties in any form whatever is not permitted without written authority from proprietors</small>					
<b>BITRON GROUP</b>				<b>SOLENOID VALVE TYPE 349 WITH FM</b>	
<small>COMPETENCE CENTER</small>			<small>TREATMENT</small>		<small>DATE</small> 25/05/2015
			<small>WEIGHT (gr.)</small> 163.6		<small>DEPARTMENT</small> SETEC
<small>ARCHIVE OR DRAWING N.</small>			<small>REPLACE</small> 33490057		<small>APPROVED</small> Rendesi
<b>ASSEMBLY</b>					<small>CODE</small>
					<small>ICE</small> <b>00</b>