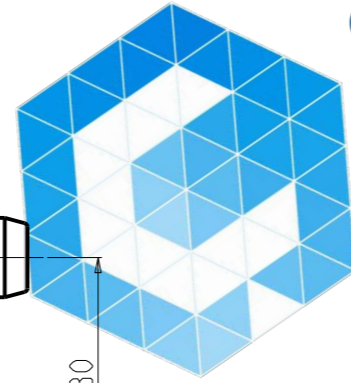
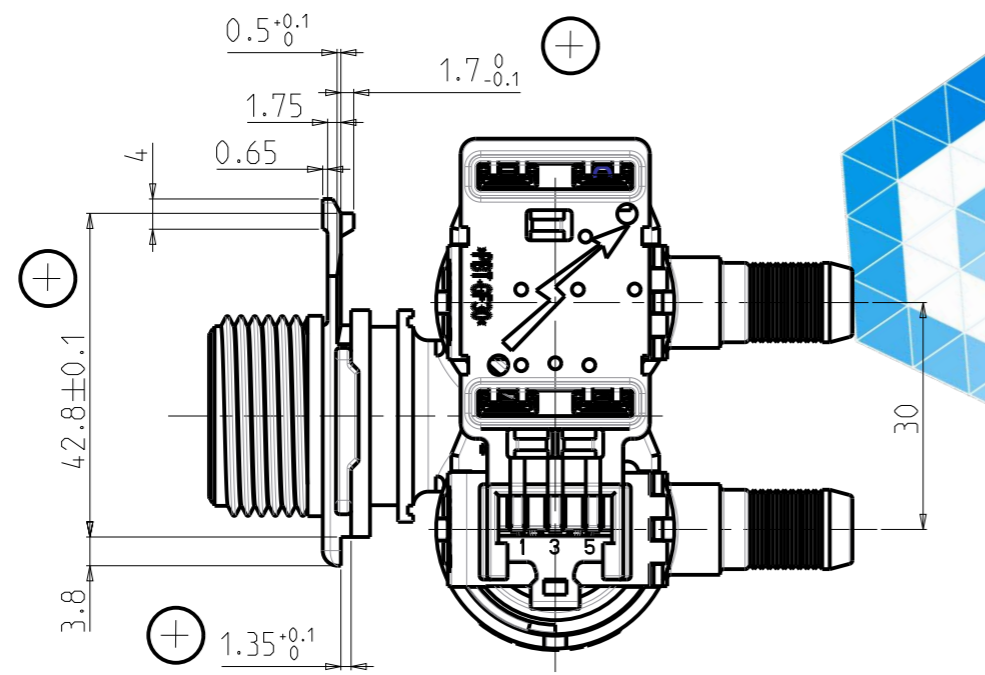
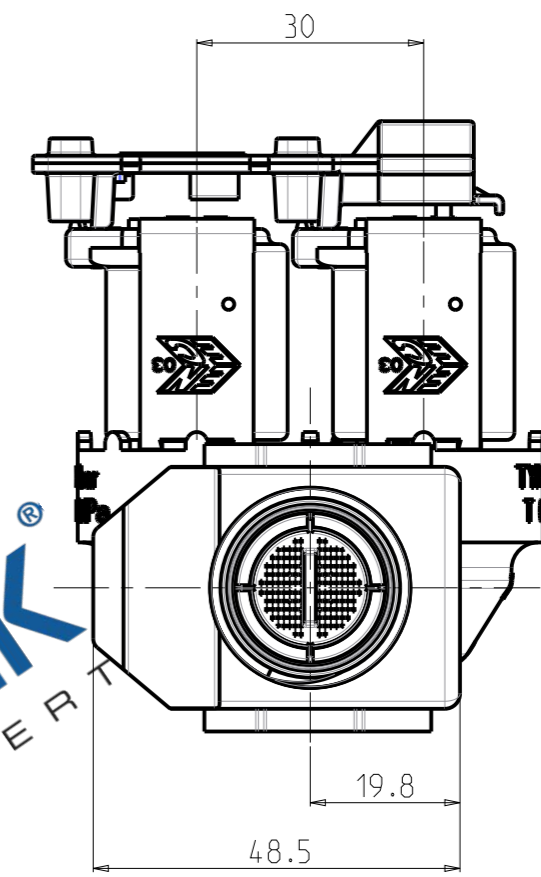


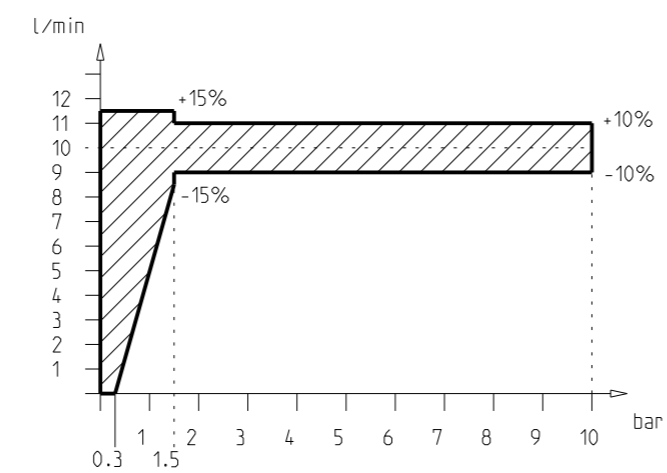
REFERENCE	NOTE TO BE PRINTED WITH INDELIBLE INK
ELBI CODE	
CUSTOMER CODE	
CQC APPROVAL	
PRODUCTION DATE (5 DIGITS)	ACCORDING TO GREGORIAN CALENDAR: 3 DIGITS FOR DAY + 2 DIGITS FOR YEAR

EXAMPLE 20711



**CIL TEKNIK**  
COOLING EXPERT

**CHARACTERISTICS:**  
 Working pressure range : 0.3 / 10 bar  
 Rated Voltage : 220-240 V 50/60 Hz  
 Water temperature : +25°C 100% ED / 90°C 3"ON/5"OFF  
 Ambient temperature : max. +60°C  
 Relativ umidity : 80%  
 Flow rate : see diagram  
 Valve to be tested according to Elbi specification 1.176  
 Customer code : 9000 533 540



FLOW RATE DIAGRAM OUTLET NR.1-2

<b>B</b> EL08199 /	29.08.19	Added CQC mark		Baratella	Rendesi
<b>A</b> EL07537 00	14.02.18	NEW ISSUE: INTRODUCED VIOLET FLOW REGULATOR		Baratella	Rendesi
TOLLERANZE GEOMETRICHE, CARATTERISTICHE DI CONTROLLO E GEOMETRIC TOLERANCE, CONTROL AND PRODUCT CHARACTERISTICS SPEC. <b>SPC</b> PRODOTTO SECONDO NORMA TECNICA ELBI/BITRON 03.00.00 ACCORDING TO ELBI/BITRON TECHNICAL SPECIFICATION 03.00.00					
UP TO 3±0.125 >3 TO 6±0.15 >6 TO 10±0.18 >10 TO 18±0.215 >18 TO 30±0.26 >30 TO 50±0.31 >50 TO 80±0.37 >80 TO 120±0.435 >120 TO 180±0.5 >180 TO 250±0.575 >250 TO 315±0.65 OVER 315±0.7					
SEGUIRE LE ISTRUZIONI PER L'USO E L'INSTALLAZIONE DEI PRODOTTI BITRON IN CASO CONTRARIO BITRON DECLINA OGNI RESPONSABILITÀ. PLEASE FOLLOW BITRON COMPONENT "USE & PRECAUTIONS" INSTRUCTIONS. BITRON DENIES ANY RESPONSABILITY IF "USE & PRECAUTIONS" ARE NOT APPLIED.			DIMENSIONI, LUNGHEZZE E DIAMETRI (mm) SEC. UNI EN 20286 I1I4		CENTRO DI COMPETENZA / COMPETENCE CENTER
STAMPO/FIG. MOLD/CAVITY 1-1			SCALA/SCALE 1:1	Pro/E Wildfire	APPLICAZIONE / APPLICATION: <b>ELETTROVALVOLA TYPE 349 SOLENOID VALVE TYPE 349</b>
					DATA / DATE 14/02/2018
MATERIALE E CODICE GREZZO / MATERIAL AND MATERIAL CODE			PESO / WEIGHT (gr.) 164		ENTE / DEPT. SETEC
TRATTAMENTO / TREATMENT			DISEGNATO / DRAWN Baratella		VISTO / APPROVED Rendesi
DENOMINAZIONE / DESCRIPTION <b>COMPLESSIVO ASSEMBLY</b>			SOSTITUISCE IL / REPLACE: 33490227		ARCHIVIO O N° DISEGNO/ARCHIVE OR DRAWING N.
			IDENTIFICATIVO / PART N. :		IGE 00