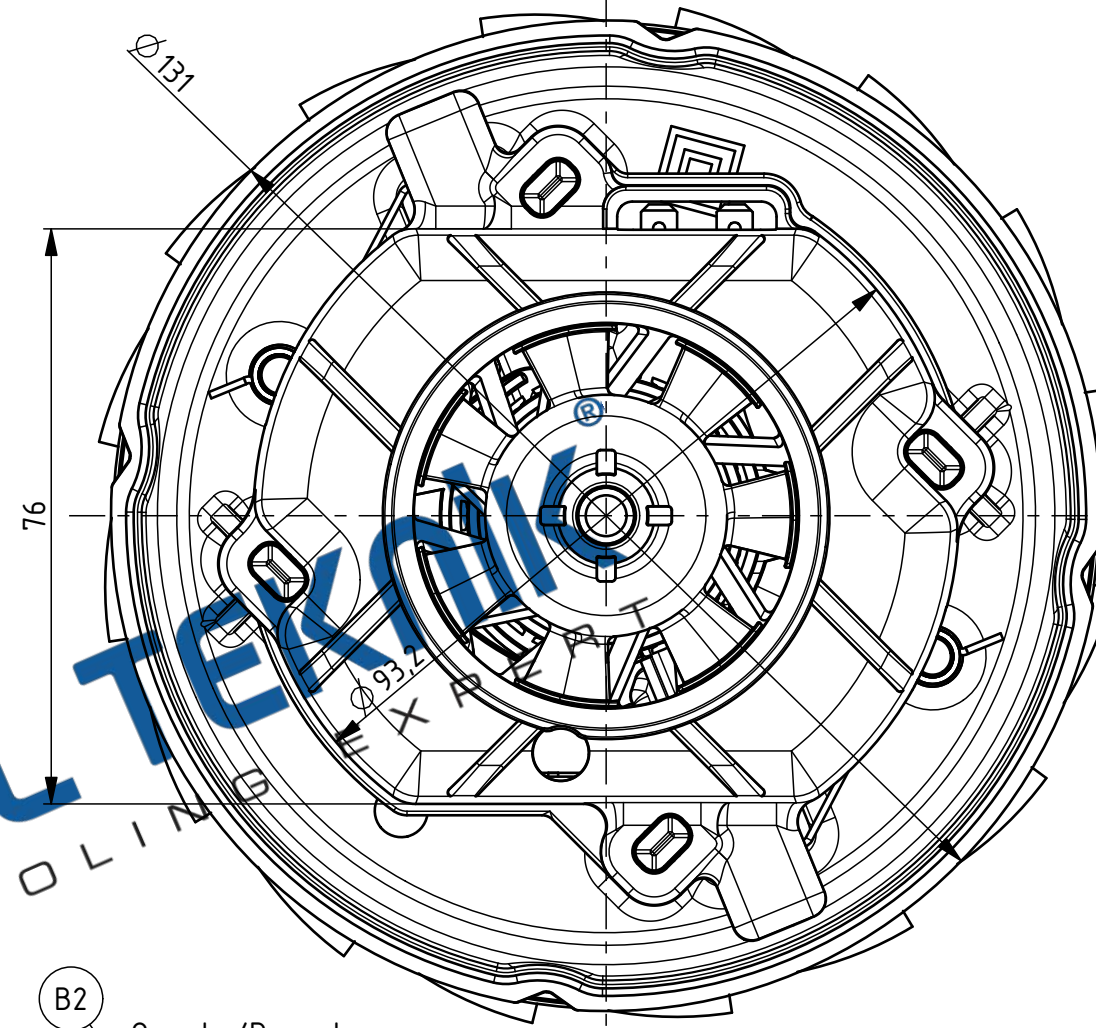
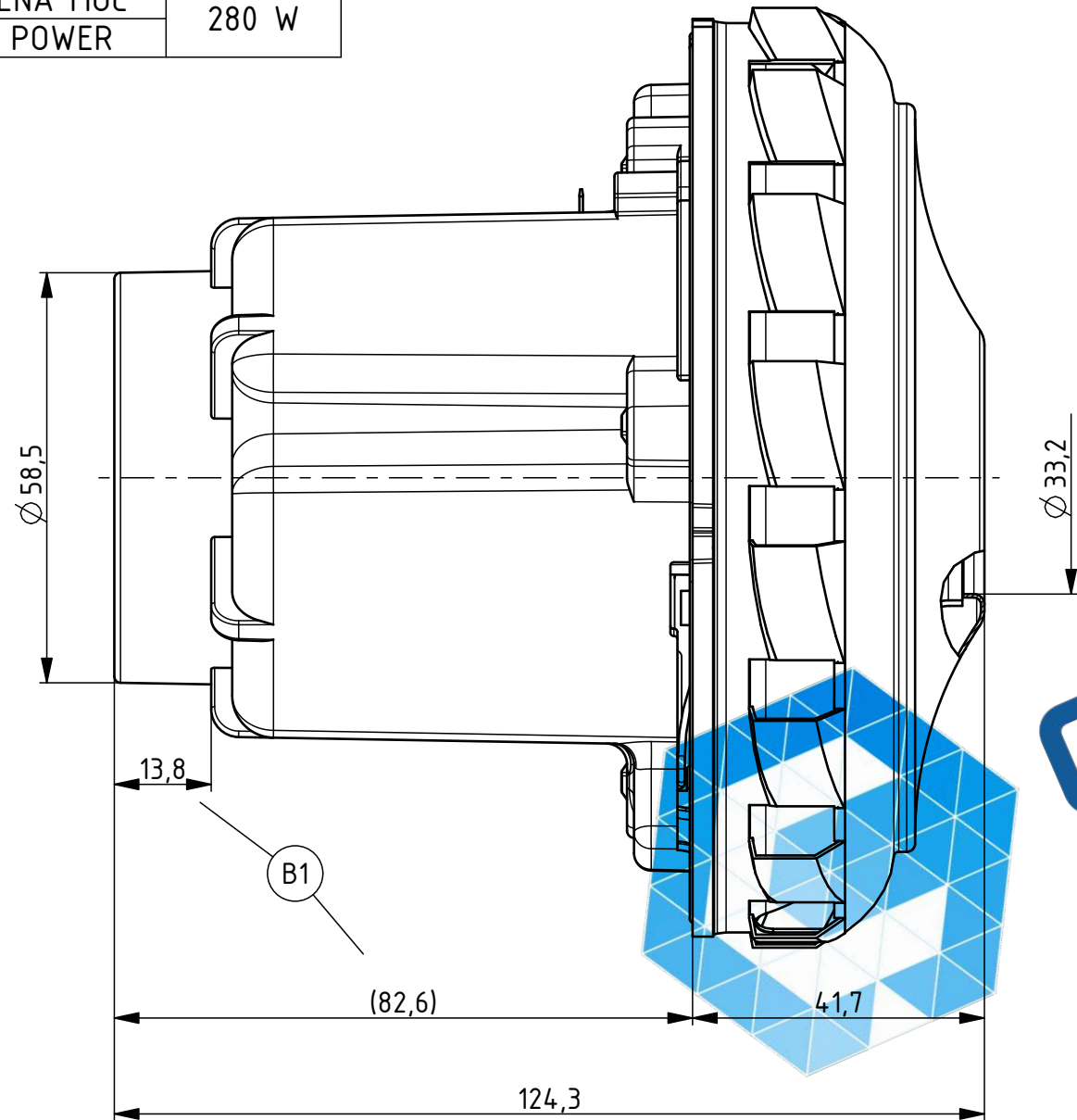


Izdelano s CAD/ProEngineer - ročno spreminjanje ni dovoljeno! Vsak prenos tretjim osebam ali uporaba v nedogovorjene namene ni dovoljena po zakonu o avtorskih pravicah. Made with CAD/ProEngineer - changing is not allowed! Any unauthorized copying of this drawing or unauthorized distribution of the information contained herein is prohibited.

NAPETOST	24 V
VOLTAGE	24 V
FREKVENCA	DC
FREQUENCY	DC
NAZIVNA MOČ	280 W
NOMINAL POWER	280 W
MAKSIMALNA MOČ	280 W
MAXIMAL POWER	280 W

Verzija A.5 Status V delu



B2 Opombe/Remarks:

Ležaji:
A - Turbinska stran: CW (kemijsko obstojno tesnilo)
Bearings:
A - Impeller side: CW (chemically resistant sealing)

Materiali: Po UL predpisih.
Materials: In accordance with UL.

Oznake natisnjene na SE:
Information stamped on VCM:

DOMEL 467.3.251-2
9099435000
24 V DC
I.Cl.180
YYWWD S NNNN
MADE IN SLOVENIA

OSNOVNE ZNAČILNOSTI		TYPICAL CHARACTERISTICS	
IZVEDBA	ENOSTOPENJSKA	FAN SYSTEM	SINGLE STAGE
VLEŽAJENJE	DVA KROGLIČNA LEŽAJA	BEARINGS	DUAL BALL
VRSTA PRETOKA	MIMO MOTORJA	DISCHARGE	BY PASS
SMER VR TENJA	DESNA	DIRECTION OF ROTATION	CW

Tolerance odprtih mer Tolerances without individual indications ISO 8015 ISO 2768 - mK		Površinska hrapavost Surface finishing		Merilo Scale 1:2		Original format ISO 5457 - A3	
Datum/Date				Ime/Name		Naziv Title	
Izdelal Designed 29.08.14		Novinc M.		SESALNA ENOTA VACUUM CLEANER MOTOR			
Pregl. Verified 17.11.14		J. Rihtaršič					
Ozn. Mark		Št. obvestila Nr. of notice		Datum Date		Ime Name	
B2 11592		17.11.14		M. Novinc		Koda Code	
A0 11458		03.09.14		D. Vrhunc		467.3.251-2	
DOMEL Otoki 21, 4228 Železniki, Slovenija				List Sheet		3+	
				Stran Page		1	
						4673251002_SESALNA_ENOTA	