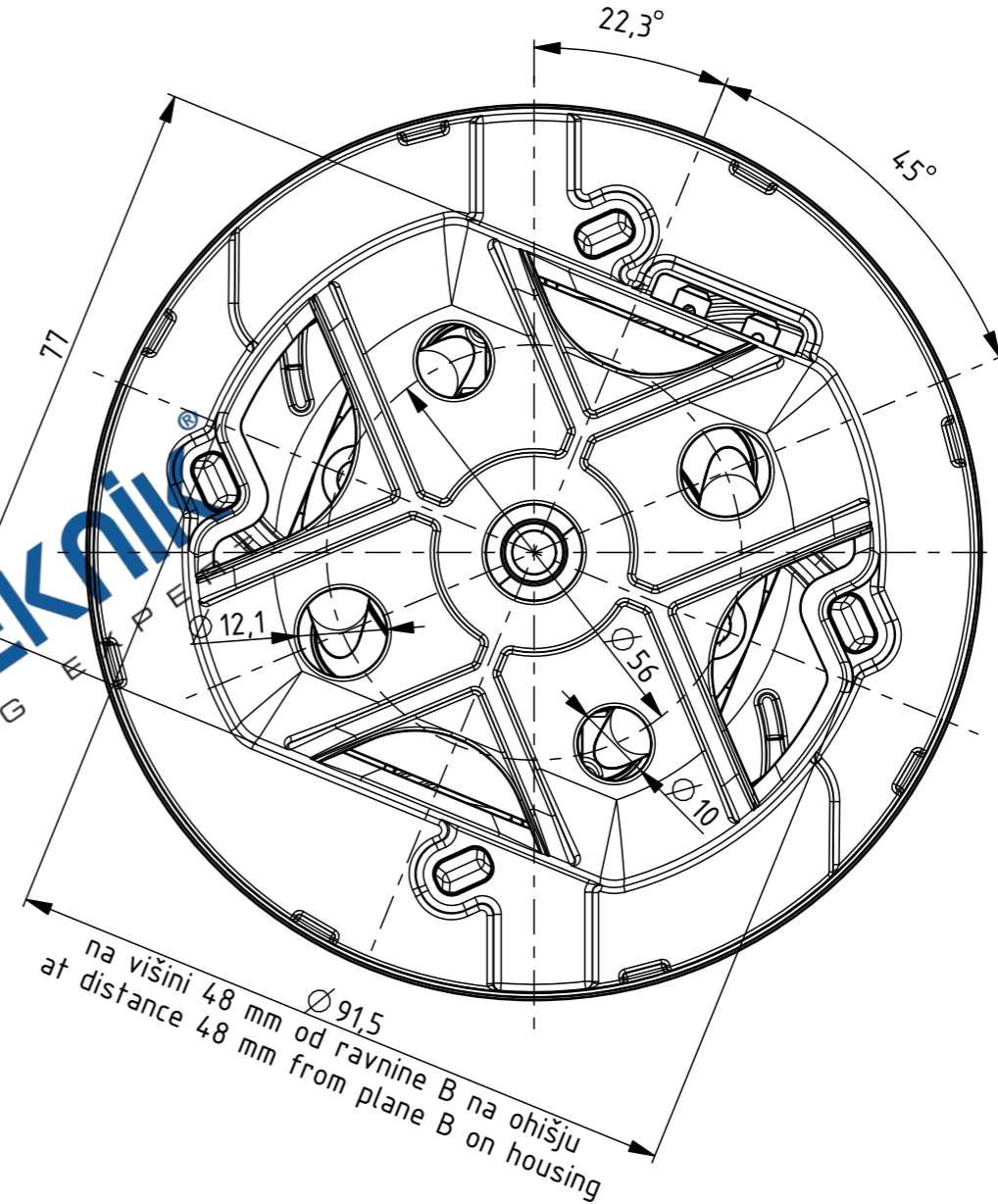
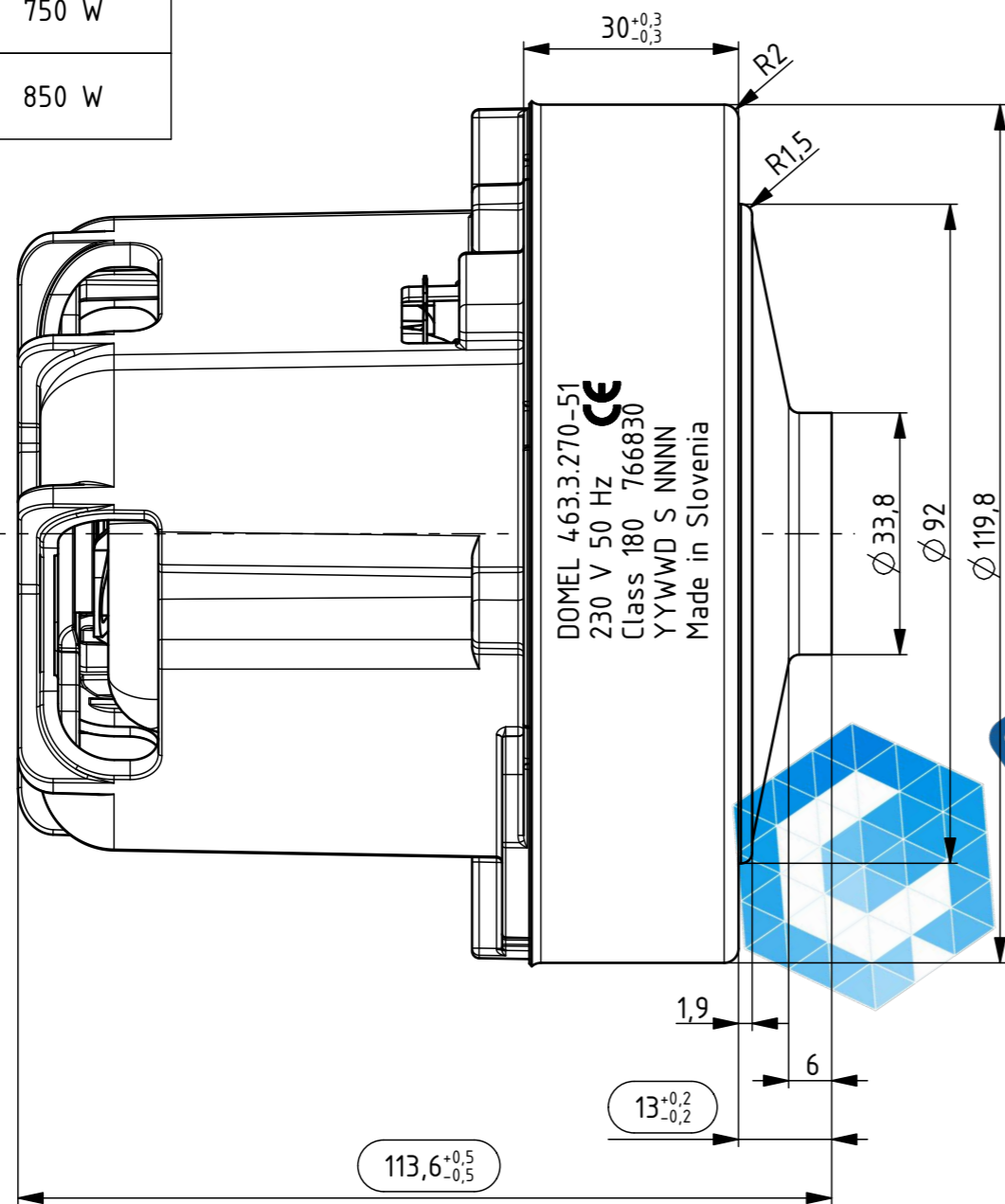


Izdelano s CAD/ProEngineer - ročno spreminjanje ni dovoljeno! Vsak prenos tretjim osebam ali uporaba v nedogovorjene namene ni dovoljena po zakonu o avtorskih pravicah.  
 Made with CAD/ProEngineer - changing is not allowed! Any unauthorized copying of this drawing or unauthorized distribution of the information contained herein is prohibited.

NAPETOST	230 V
VOLTAGE	230 V
FREKVENCA	50 Hz
FREQUENCY	50 Hz
NAZIVNA MOČ	750 W
NOMINAL POWER	750 W
MAKSIMALNA MOČ	850 W
MAXIMAL POWER	850 W

Verzija A.1 Status V delu



○, \* - pomembna mera  
 important dimension

OSNOVNE ZNAČILNOSTI		TYPICAL CHARACTERISTICS	
IZVEDBA	ENOSTOPENJSKA	FAN SYSTEM	SINGLE STAGE
ULEŽAJENJE	DVA KROGLIČNA LEŽAJA	BEARINGS	DUAL BALL
VRSTA PRETOKA	SKOZI MOTOR	DISCHARGE	THRU FLOW
SMER VRTENJA	DESNA	DIRECTION OF ROTATION	CW

Tolerance odprtih mer Tolerances without individual indications ISO 8015 ISO 2768 - mK		Površinska hrapavost Surface finishing		Merilo Scale <b>1:1</b>	Original format ISO 5457 - A3
Datum/Date		Ime/Name		Gradivo / Material	
Izdelal Designed 18.04.15		D. Vrhunc		Naziv Title <b>SESALNA ENOTA</b>	
Pregl. Verified 09.06.15		J. Rihtaršič		Koda Code <b>463.3.270-51</b>	
A0	11885	09.06.15	D. Vrhunc	List Sheet 3+	
Ozn. Mark	Št. obvestila Nr. of notice	Datum Date	Ime Name	Stran Page 1	
DOMEL® Otoki 21, 4228 Železniki, Slovenija				4633270051_SESALNA_ENOTA	