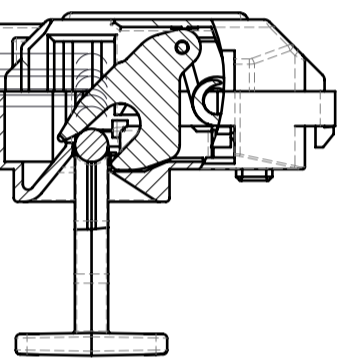
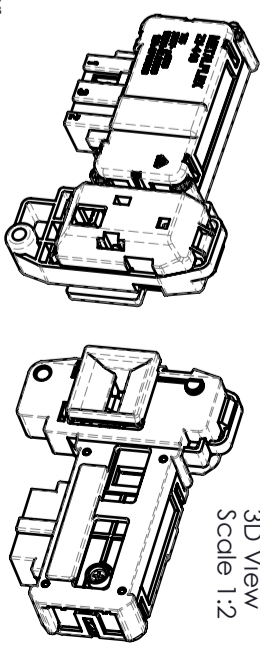
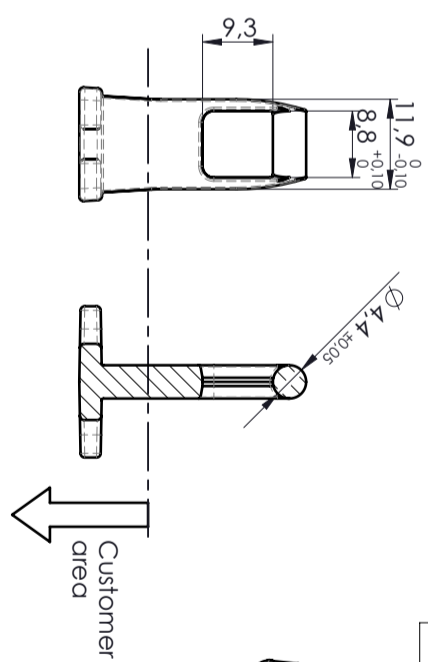


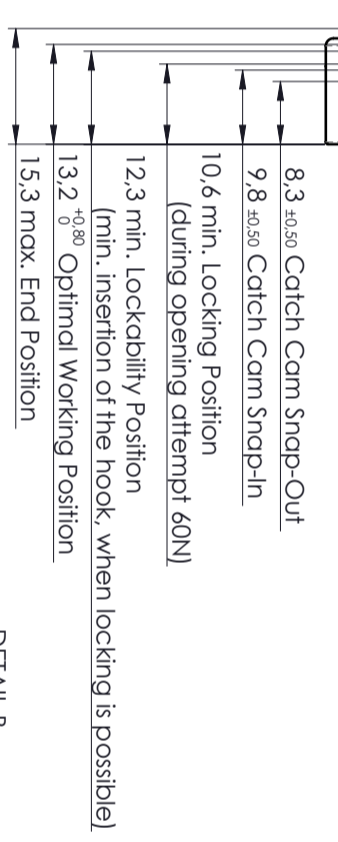
Hook Positions:



Hook Dimensions:

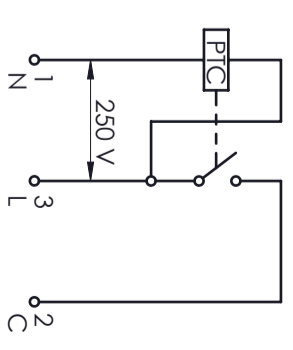
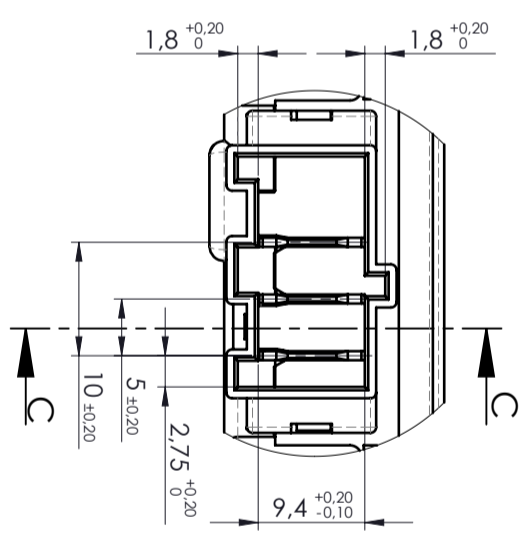
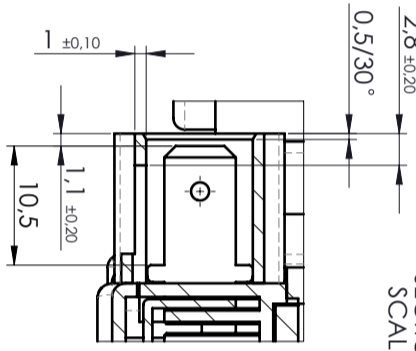
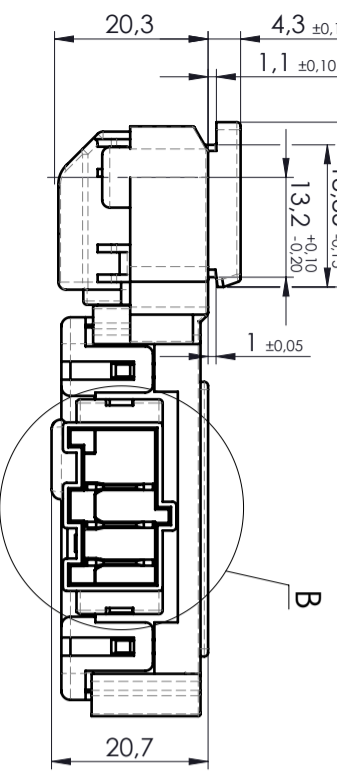


Temp. okolice Ambient temp.	Vklonni čas Locking time	Izklonni čas Unlocking time
20°C zopora vklopljena 60s operating time 60s	min 2sec. - max 8sec.	min 35sec. - max 75sec.



SECTION C-C
SCALE 3 : 2

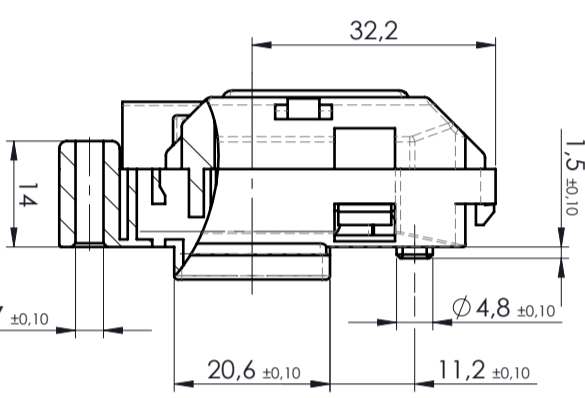
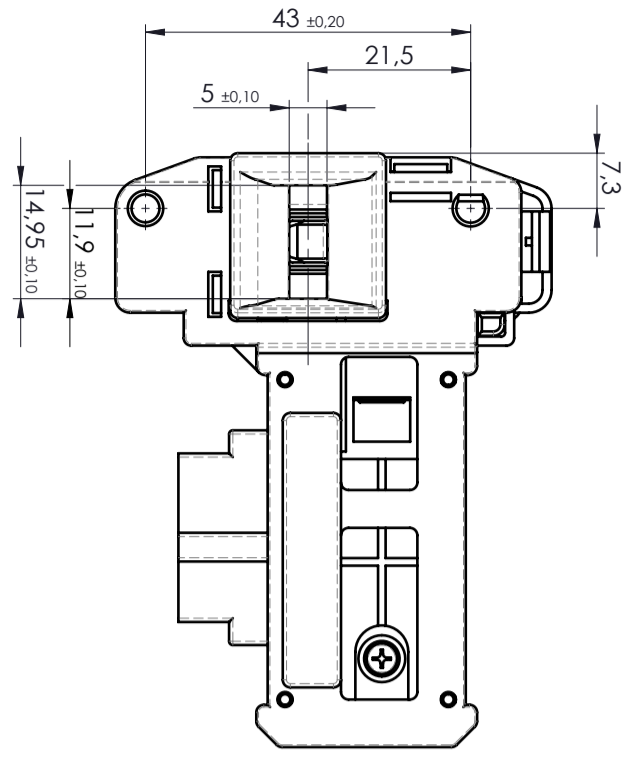
DETAIL B
SCALE 3 : 2



Door lock electrical scheme

DECLARATION:

METALFLEX
Type ZV 446
250V ~
16(6)A...Closing
1(1)A...Opening
T85 µ 10E3
Model: F
Customer part nr.:
2847740500 (reinforced contact)



Ø 3,7 ± 0,10

Characteristics (Karakteristika)	Safety and Critical (Varnostni)	General tolerances (Metaloženske mere)	3D Ref. (3D Model)
Significant (Pomembni)	Control dimensions (Kontrolna mera)	Unit deviation for basic size range - Odstopki za dodatne mere (mm)	ITW Metalflex d.o.o.
Scale (Mera)	Weight (Teža)	Tolerance Class ISO 2768 - M	Pollubini 89e - Tolmin - Slovenija
CAD System SolidWorks	Project (Projekt)	ISO 3302	ZV-446F-01
Material (Material)	Drawn (Naris)	ISO 3302	41446056
Heat Treatment (Termična Obr.)	Approved (Odobril)	ISO 3302	444F-00-00
Surf. Finishing (Površinska obr.)	Signature/Date (Podpis/Datum)	ISO 3302	1/1
Parts must be compliant with: Przdelki morajo biti skladni z:	REACH & ROHS	Date 30.11.2016	

