

TECHNICAL REFERENCE

Model: WSK-7

Error: $\leq 1^{\circ}\text{C}$ (when it is 20°C)

Adjustable temperature range: 10°C - 30°C

Temperature sensor: Inflated film case

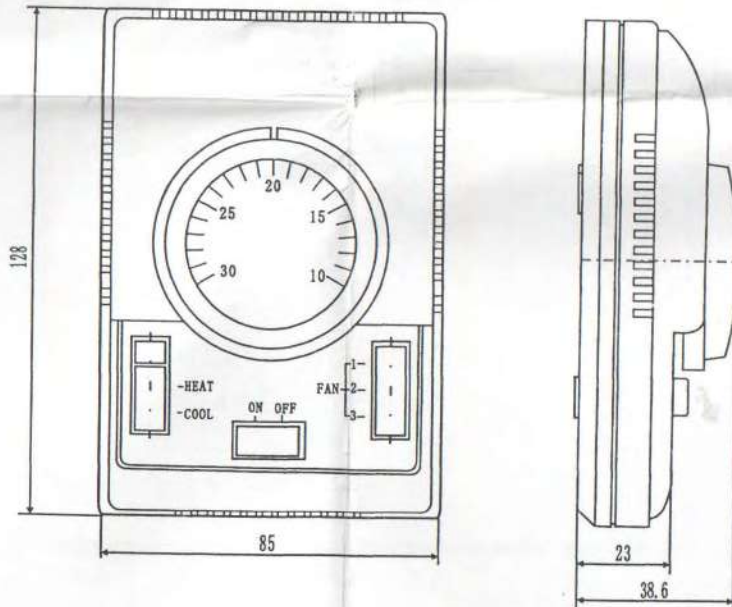
Material and color: milk-white PC plastics for cover and base

Rated voltage and current: 110V-220V, 1.5(3)A, 50-60Hz

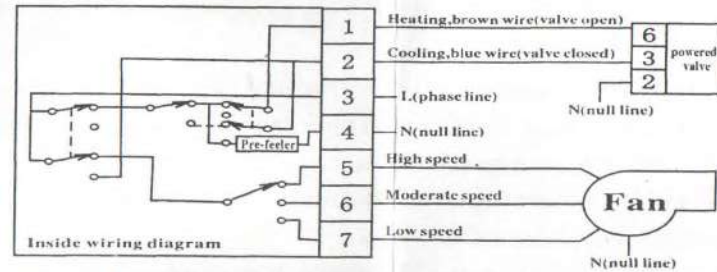
Electric connector: Terminal connector for maximum 1.5mm in diameter wire

Transportation and preservation: under the temperature between -20°C and 50°C

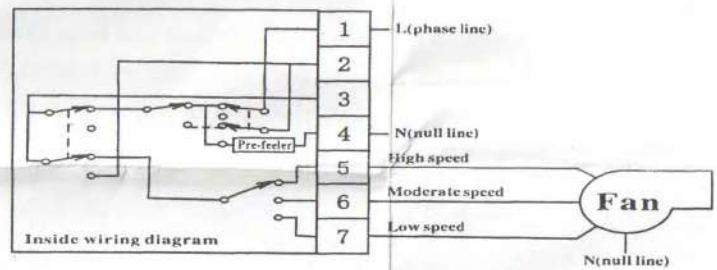
SIZE AND MEASUREMENT



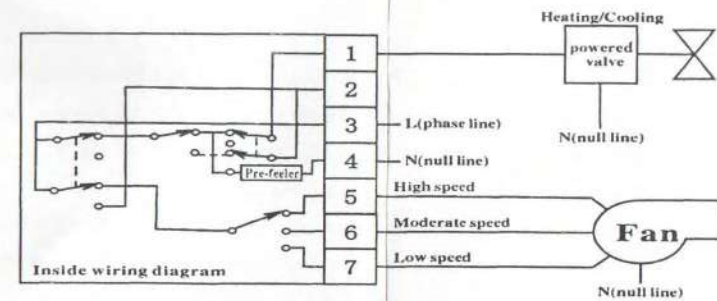
TYPICAL WIRING DIAGRAM



Dual Pipe Heating/Cooling Wiring Diagram



Wiring Diagram of Temperature Controlling Fan without Powered Valve



Dual Pipe Heating/Cooling Wiring Diagram