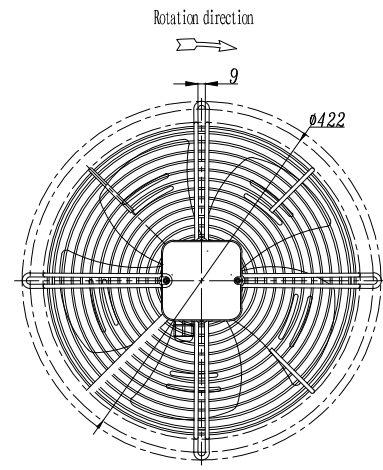
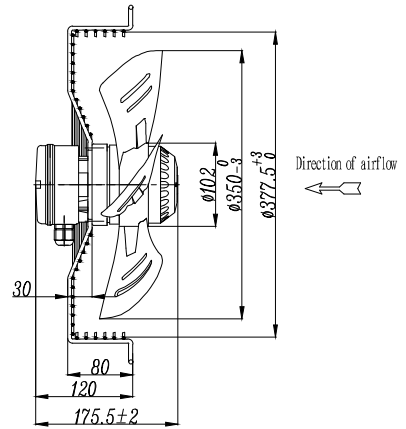


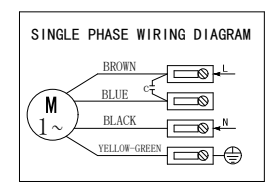
| | |
|-------------|-----------------|
| Serial NO. | L350S-4E1. E-01 |
| Drawing NO. | 01/A |



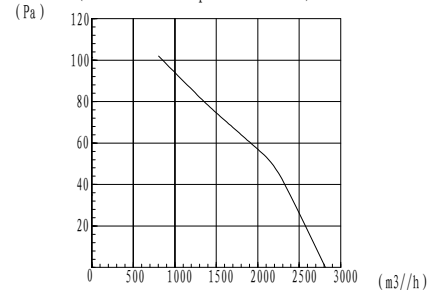
Label:

| | | |
|----------|----------------|-------|
| | YWF4E-350S-E5L | |
| 220V | 50Hz | 0.75A |
| 4uF/450V | 1335r/min | CL. F |

Wiring diagram:



(Airflow-static pressure curve):



| St. P. | Air Flow | Speed | Voltage | Freq. | Current | Power |
|--------|----------|-------|---------|-------|---------|-------|
| Pa | m³/h | RPM | V | Hz | Amp | W |
| 0 | 2814 | 1368 | 220 | 50 | 0.6 | 130 |
| 35 | 2400 | 1357 | 220 | 50 | 0.65 | 141 |
| 50 | 2203 | 1348 | 220 | 50 | 0.66 | 144 |
| 57 | 2000 | 1346 | 220 | 50 | 0.68 | 151 |
| 64 | 1800 | 1342 | 220 | 50 | 0.71 | 156 |
| 71 | 1601 | 1338 | 220 | 50 | 0.73 | 167 |
| 78 | 1402 | 1337 | 220 | 50 | 0.75 | 171 |
| 86 | 1203 | 1336 | 220 | 50 | 0.75 | 176 |
| 94 | 1000 | 1320 | 220 | 50 | 0.81 | 182 |
| 102 | 803 | 1296 | 220 | 50 | 0.88 | 192 |

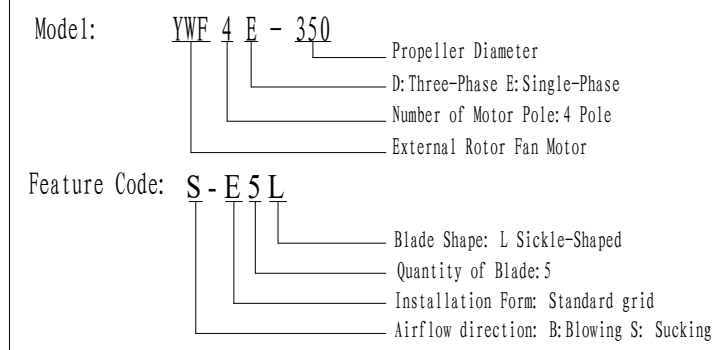
VENTILATOR **Dayoung** Axial Fan

| | |
|-------------------------------|------------------------|
| Partname: YWF4E-350 Axial Fan | Customer: TK-CI |
| Insulation class: F | Protection Class: IP54 |
| Type of Duty: S1 | |

Permissible ambient temperature: -40 ~ +60°C



Nomenclature:



High -Voltage test according to EN 60335-1 2100V

Material/Surface Finishing: Blade-spec steel sheet/Black powder coating

Rotor-Silicon sheet Lamination with aluminum casting/ Black powder coating

Guard grill- cold drawn steel wire/Black powder coating

Balance Grade:G6.3 (Propeller is dynamic balanced at two sides)

| Model | Feature Code | Voltage | Frequency | Current | Power input | Speed | Capacitance | Air flow/max | Max. static pressure | N.W. | Noise | DRN BY | Date | Specification |
|-----------|------------------|---------|-----------|---------|-------------|-------|-------------|--------------|----------------------|------|-------|---------|--------------|-----------------|
| | | V | Hz | A | W | r/min | μF | m³/h | Pa | Kg | dB(A) | | | |
| YWF4E-350 | S-E5L. 2AAB. 011 | 220 | 50 | 0.75 | 175 | 1335 | 4 | 2814 | 85 | 4.6 | 65 | CHK BY | 2020. 03. 09 | |
| | | | | | | | | | | | | APVD BY | 2020. 03. 09 | L350S-4E1. E-01 |