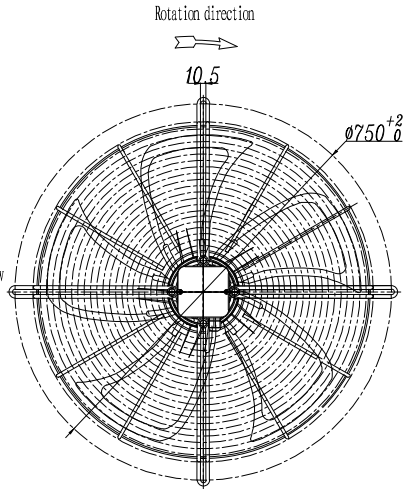
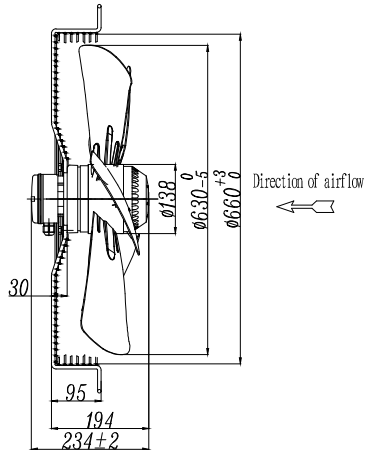
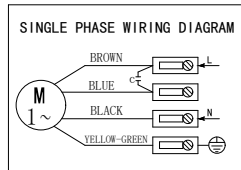


Serial NO.	L630S-6E1. E-01
Drawing NO.	01/A



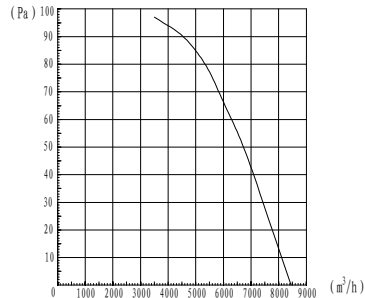
Wiring diagram:



Label:

BOSONE®		YWF6E-630S-E5L			
220V	50Hz	1.7A	360W	CE	
12uF/450V	920r/min		CL. F		

(Airflow-static pressure curve):



St. P.	Air Flow	Speed	Voltage	Freq.	Current	Power
Pa	m³/h	RPM	V	Hz	Amp	W
0	8450	951	220	50	1.45	314
28	7501	944	220	50	1.52	330
43	7000	937	220	50	1.56	338
56	6502	934	220	50	1.61	342
66	6000	930	220	50	1.63	348
78	5502	926	220	50	1.65	352
85	5002	922	220	50	1.7	360
91	4501	920	220	50	1.71	362
94	4000	916	220	50	1.75	378
97	3501	914	220	50	1.82	403

VENTILATOR
Dayoung

Axial Fan

Partname: YWF6E-630 Axial Fan Customer: TK-CI

Insulation class: F Protection Class: IP54 Type of Duty: S1

Permissible ambient temperature: -40 ~ +60°C

Approvals: **CE**

Nomenclature:

Model: **YWF 6 E - 630**
 Propeller Diameter
 D: Three-Phase E: Single-Phase
 Number of Motor Pole: 6 Pole
 External Rotor Fan Motor

Feature Code: **S - E 5 L**
 Blade Shape: L Sickle-Shaped
 Quantity of Blade: 5
 Installation Form: Standard grid
 Airflow direction: B: Blowing S: Sucking

High -Voltage test according to EN 60335-1 2100V

Material/Surface Finishing: Blade-spec steel sheet/Black powder coating

Rotor-Silicon sheet Lamination with aluminum casting/ Black powder coating

Guard grill- cold drawn steel wire/Black powder coating

Balance Grade:G6.3 (Propeller is dynamic balanced at two sides)

Model	Feature Code	Voltage	Frequency	Current	Power input	Speed	Capacitance	Air flow/max	Max. static pressure	N.W.	Noise	DRN BY	Sign	Date	Specification
		V	Hz	A	W	r/min	μF	m³/h	Pa	Kg	dB(A)				
YWF6E-630	S-E5L. 3AAB. 011	220	50	1.7	360	920	12	8450	90	15.2	68	CHK BY	曹广涛	2021. 01. 26	
												APVD BY	吴华君	2021. 01. 26	