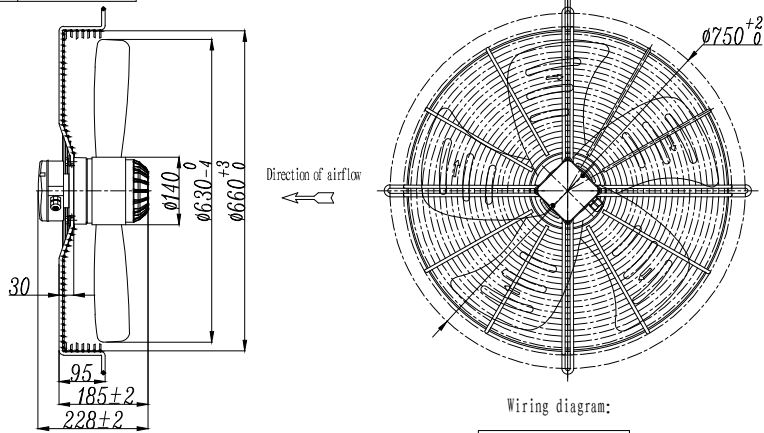


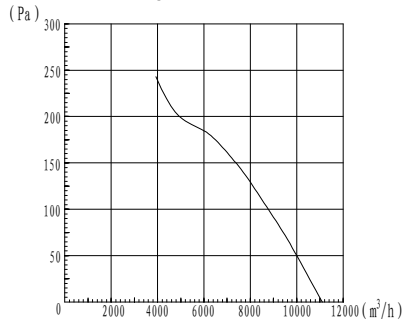
Serial NO.	L630S-4D1.E-01
Drawing NO.	01/A



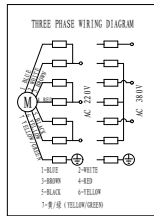
Label:

ESOURCE	YWF4D-630S-E5L
Y/Δ	380/220V 3PH 50Hz 1.85/3.24A
900W	1395r/min CL.F

(Airflow-static pressure curve):



Wiring diagram:



St. P.	Air Flow	Speed	Voltage	Freq.	Current	Power
Pa	m³/h	RPM	V	Hz	Amp	W
0	11105	1421	380	50	1.74	712
41	10208	1412	380	50	1.77	766
77	9400	1407	380	50	1.81	821
106	8601	1400	380	50	1.83	860
138	7799	1388	380	50	1.86	916
161	7005	1382	380	50	1.91	968
184	6207	1376	380	50	1.95	1004
191	5399	1373	380	50	1.97	1034
204	4609	1370	380	50	1.97	1032
243	3925	1357	380	50	2.08	1136

Model	Feature Code	Wiring	Voltage	Frequency	Current	Power input	Speed	Capacitance	Air flow/max	Max. static pressure	N.W.	Noise
			V									
YWF4D-630	S-E5L.6AAB.021	Y	380	50	1.85	900	1395	/	11105	120	15.2	78
		Δ	220		3.24							



Axial Fan

Partname: YWF4D-630 Axial Fan Customer: TK-CI

Insulation class: F Protection Class: IP54 Type of Duty: S1

Permissible ambient temperature: -40 ~ +60°C

Approvals:

Nomenclature:

Model: **YWF 4 D - 630**
 Propeller Diameter
 D: Three-Phase E: Single-Phase
 Number of Motor Pole: 4 Pole
 External Rotor Fan Motor

Feature Code: **S - E 5 L**
 Blade Shape: L Sickle-Shaped
 Quantity of Blade: 5
 Installation Form: Standard grid
 Airflow direction: B: Blowing S: Sucking

High -Voltage test according to EN 60335-1 2100V

Material/Surface Finishing: Blade-spec steel sheet/Black powder coating

Rotor-Silicon sheet Lamination with aluminum casting/ Black powder coating

Guard grill- cold drawn steel wire/Black powder coating

Balance Grade:G6.3 (Propeller is dynamic balanced at two sides)

	Sign	Date
DRN BY	周晓伟	2021.01.26
CHK BY	曹广涛	2021.01.26
APVD BY	吴华君	2021.01.26

Specification

L630S-4D1.E-01