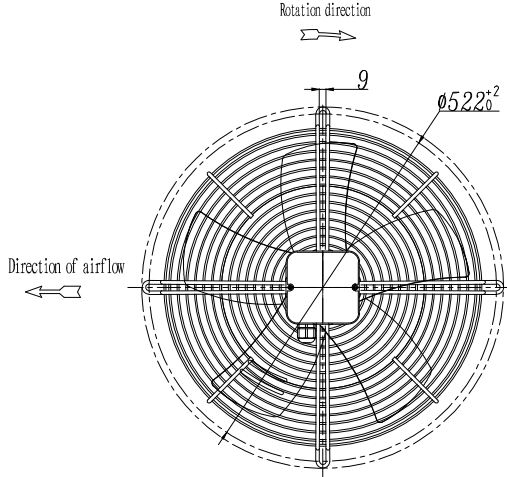
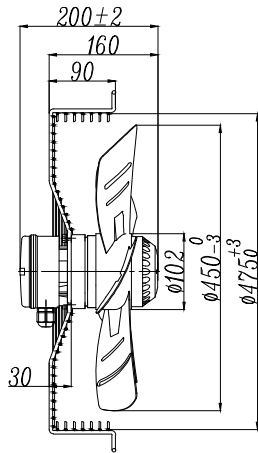


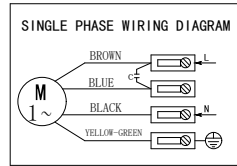
Serial NO.	L450S-4E1. E-01
Drawing NO.	01/A



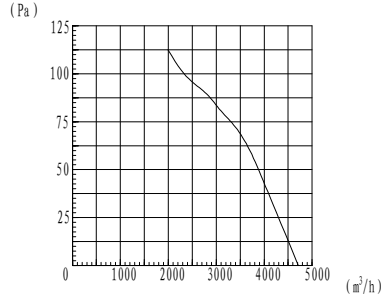
Label:

	YWF4E-450S-ESL	
220V	50Hz	1.15A
8uF/450V	1360r/min	270W
		CL. F

Wiring diagram:



(Airflow-static pressure curve):



St. P.	Air Flow	Speed	Voltage	Freq.	Current	Power
Pa	m³/h	RPM	V	Hz	Amp	W
0	4711	1402	220	50	0.79	180
25	4300	1398	220	50	0.86	197
43	4005	1395	220	50	0.92	212
61	3702	1390	220	50	0.99	227
73	3401	1386	220	50	1.03	236
80	3102	1381	220	50	1.09	250
88	2801	1377	220	50	1.12	257
95	2500	1370	220	50	1.14	266
103	2202	1362	220	50	1.14	268
112	2001	1358	220	50	1.15	271

VENTILATOR
Dayoung

Axial Fan

Partname: YWF4E-450 Axial Fan

Customer: TK-CI

Insulation class: F

Protection Class: IP54

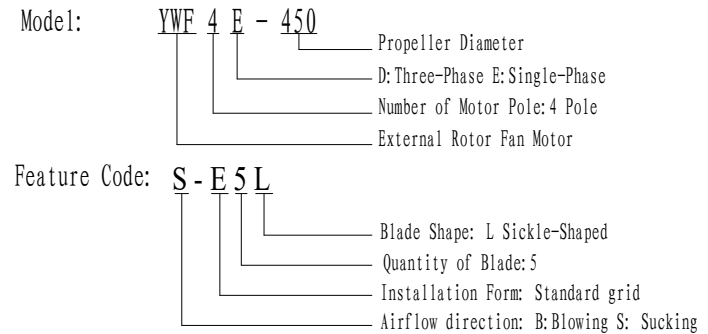
Type of Duty: S1

Permissible ambient temperature: -40 ~ +60°C

Approvals:



Nomenclature:



High -Voltage test according to EN 60335-1 2100V

Material/Surface Finishing: Blade-spec steel sheet/Black powder coating

Rotor-Silicon sheet Lamination with aluminum casting/ Black powder coating

Guard grill- cold drawn steel wire/Black powder coating

Balance Grade:G6.3 (Propeller is dynamic balanced at two sides)

Model	Feature Code	Voltage	Frequency	Current (m³/h)	Power input	Speed	Capacitance	Air flow/max	Max. static pressure	N.W.	Noise
		V	Hz	A	W	r/min	μF	m³/h	Pa	Kg	dB(A)
YWF4E-450	S-E5L. 2AAB. 011	220	50	1.15	270	1360	8	4711	110	6.8	70

	Sign	Date
DRN BY	周晓伟	2020. 03. 09
CHK BY	曹广涛	2020. 03. 09
APVD BY	吴华君	2020. 03. 09

Specification

L450S-4E1. E-01