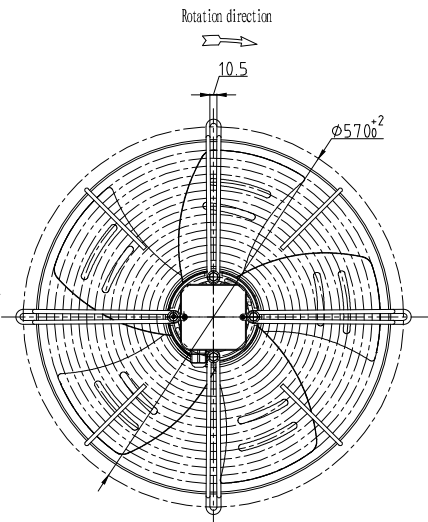
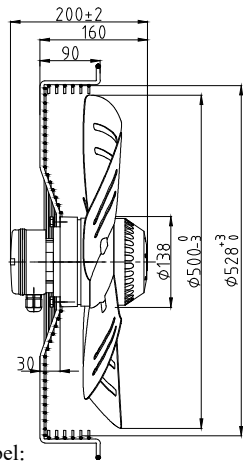
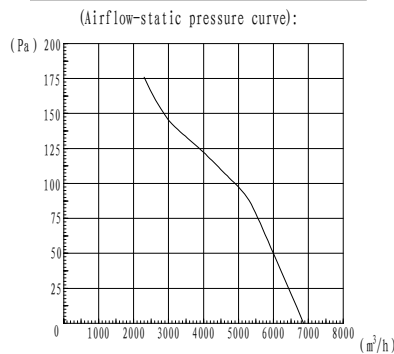


Serial NO.	L500S-4E1. E-01
Drawing NO.	01/A

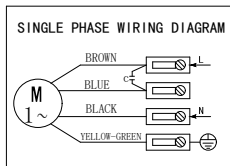


Label:

	YWF4E-500S-E5L	
220V	50Hz	2.1A
15uF/450V	1340r/min	480W
		CL.F



Wiring diagram:



St. P.	Air Flow	Speed	Voltage	Freq.	Current	Power
Pa	m³/h	RPM	V	Hz	Amp	W
0	6860	1398	220	50	1.71	378
33	6301	1388	220	50	1.79	397
61	5798	1388	220	50	1.87	419
91	5303	1363	220	50	1.98	446
102	4802	1353	220	50	2.05	464
115	4308	1347	220	50	2.12	478
127	3804	1340	220	50	2.14	484
138	3303	1337	220	50	2.18	494
149	2808	1338	220	50	2.20	497
176	2300	1310	220	50	2.35	532

VENTILATOR **Dayoung** Axial Fan

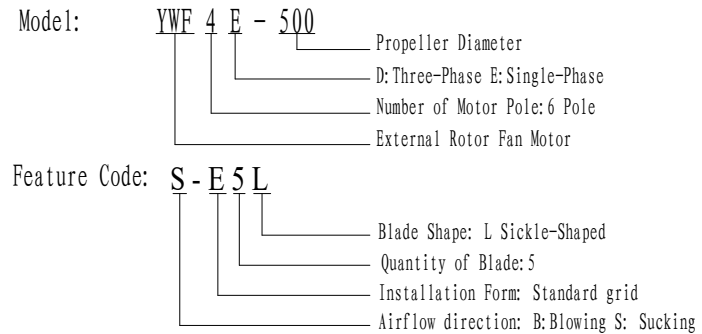
Partname: YWF4E-500 Axial Fan Customer: TK-CI

Insulation class: F Protection Class: IP54 Type of Duty: S1

Permissible ambient temperature: -40 ~ +60°C



Nomenclature:



High -Voltage test according to EN 60335-1 2100V

Material/Surface Finishing: Blade-spec steel sheet/Black powder coating

Rotor-Silicon sheet Lamination with aluminum casting/ Black powder coating

Guard grill- cold drawn steel wire/Black powder coating

Balance Grade:G6.3 (Propeller is dynamic balanced at two sides)

Model	Feature Code	Voltage	Frequency	Current	Power input	Speed	Capacitance	Air flow/max	Max. static pressure	N.W.	Noise
		V	Hz	A	W	r/min	μF	m³/h	Pa	Kg	dB(A)
YWF4E-500	S-E5L. 3AAB. 011	220	50	2.1	480	1340	15	6860	120	9.8	70

	Sign	Date
DRN BY	周晓伟	2020.03.09
CHK BY	曹广涛	2020.03.09
APVD BY	吴华君	2020.03.09

Specification

L500S-4E1. E-01