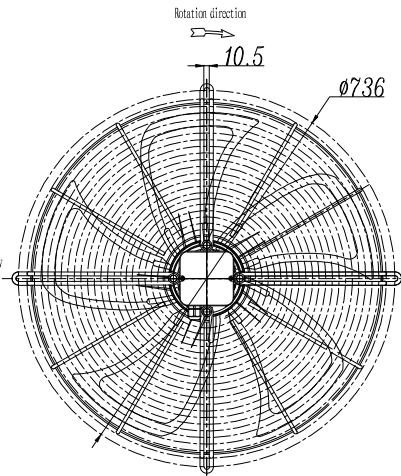
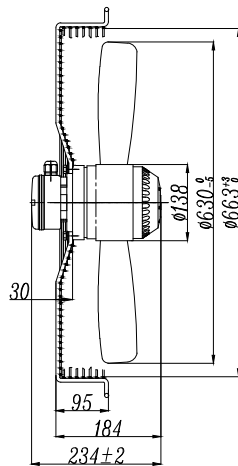
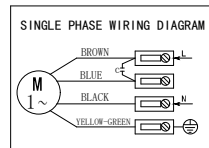


Serial NO.	L630S-4E1. E-01
Drawing NO.	01/A

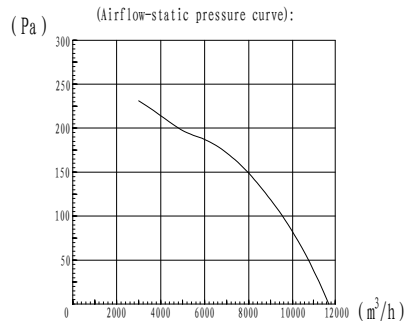


Wiring diagram:



Label:

	YWF4E-630S-E5L			
220V	50Hz	4.78A	12μF/450V	
1040W	1350/min	CL.F		



St. P.	Air Flow	Speed	Voltage	Freq.	Current	Power
Pa	m³/h	RPM	V	Hz	Amp	W
0	11695	1400	220	50	3.82	844
38	11007	1388	220	50	4.14	916
84	10004	1370	220	50	4.51	997
120	9010	1350	220	50	4.7	1040
150	8006	1328	220	50	5.09	1108
173	7003	1315	220	50	5.32	1157
189	6002	1300	220	50	5.42	1184
194	5004	1288	220	50	5.49	1192
215	4009	1234	220	50	5.96	1288
231	3005	1201	220	50	6.67	1397

VENTILATOR **Dayoung** Axial Fan

Partname: YWF4E-630S Axial Fan Customer: TK-CI

Insulation class: F Protection Class: IP54 Type of Duty: S1

Permissible ambient temperature: -40 ~ +60°C

Approvals:

Nomenclature:

Model: YWF 4 E - 630

- _____ Propeller Diameter
- _____ D: Three-Phase E: Single-Phase
- _____ Number of Motor Pole: 4 Pole
- _____ External Rotor Fan Motor

Feature Code: S - E 5 L

- _____ Blade Shape: L Sickle-Shaped
- _____ Quantity of Blade: 5
- _____ Installation Form: Standard grid
- _____ Airflow direction: B: Blowing S: Sucking

High -Voltage test according to EN 60335-1 2100V

Material/Surface Finishing: Blade-spec steel sheet/Black powder coating

Rotor-Silicon sheet Lamination with aluminum casting/ Black powder coating

Guard grill- cold drawn steel wire/Black powder coating

Balance Grade:G6.3 (Propeller is dynamic balanced at two sides)

Model	Feature Code	Voltage	Frequency	Current	Power input	Speed	Capacitance	Air flow/max	Max. static pressure	N.W.	Noise	DRN BY	Date	Specification
		V	Hz	A	W	r/min	μF	m³/h	Pa	Kg	dB(A)			
YWF4E-630	S-E5L. 3AAB. 011	220	50	4.7	1040	1350	12	11695	120	15.2	78	CHK BY	周晓伟	
												APVD BY	曹广涛	2020. 03. 09
													吴华君	2020. 03. 09
														L630S-4E1. E-01